

SPECIAL MEETING OF THE KICKAPOO AREA SCHOOL DISTRICT
BOARD OF EDUCATION

Revised

Monday, October 26, 2020

To be held in the Auditorium following the 2020 Annual Meeting

Public access will be available to view the meeting live by visiting www.kickapoo.k12.wi.us 30 minutes prior to the scheduled start of the meeting for the YouTube live feed link

1. Roll Call
2. Affirmation of the Proof of Publication of the Agenda
3. Approve Agenda
4. Action Agenda
 - a. 2020-21 Budget
 - b. 2020-21 Tax Levy
 - c. KASD Learning Model Metric Adjustment
 - d. Rescind the Motion Regarding the Approval of the Pool Design Made at the September 14, 2020 Regular School Board Meeting
 - e. Direct District Administrator to Work with Quarles & Brady to Begin Drafting Resolution for Pool Referendum
 - f. Softball Field Updates
 - 1) Scoreboards
 - 2) Outfield Work
5. Adjourn Meeting

COMPLAINT PROCEDURE POLICY**PROCEDURES FOR HANDLING COMPLAINTS ABOUT SCHOOL PERSONNEL**

It is the responsibility of the School Board and staff to maintain open attitudes and access to the public when concerns and/or complaints are expressed about school personnel. The most effective school-community relations will be achieved when parents, citizens, or others who have complaints are encouraged to meet directly with school personnel about whom a complaint is registered. Every level of administration is responsible for insuring that complaints are responded to efficiently and, as much as possible, in a manner which will not have a negative effect on the learning environment for students, the reputation of school employees, or school-community relations.

1. COMPLAINTS CONCERNING SCHOOL PERSONNEL shall be registered through the administrative staff before going to the Board. At the school level, complaints should be made first to the staff member, then to the principal, and finally to the district administrator. Complaints concerning the superintendent should be made first to the superintendent, then to the president of the school board.
2. COMPLAINTS OF A GENERAL NATURE should be made to the district administrative offices. They may be made to the district administrator, or to a member of the district staff, depending upon the nature of the complaint. If, after discussing the complaint at a district level, the person or persons making the complaint still do not have satisfaction, the complaint should be presented to the Board.
3. No person shall present orally or discuss at any meeting of the Board complaints against individual employees of the Kickapoo Area School District until after such charges or complaints have been presented to the Board, in writing, and signed by the person or persons making the charge or complaint. The Board shall then have a reasonable opportunity to investigate the same and call for discussion.
4. Any written complaints regarding a teacher made to any member of the administration by any parent, student or other person shall be immediately called to the attention of the teacher. The teacher shall be given an opportunity to respond to and/or rebut such complaint, and shall have the right to be represented by legal counsel or the KTA at any meetings or conferences regarding such complaints.

Adopted: 9/14/92

Reviewed: 2/22/93; 1/10/94; 5/8/95; 6/24/96; 8/12/97; 3/13/00; 3/10/08; 5/8/17

Revised: 3/8/93

**SPECIAL MEETING OF THE KICKAPOO AREA SCHOOL DISTRICT
BOARD OF EDUCATION**

Revised

Monday, October 26, 2020

To be held in the Auditorium following the 2020 Annual Meeting

Public access will be available to view the meeting live by visiting www.kickapoo.k12.wi.us 30 minutes prior to the scheduled start of the meeting for the YouTube live feed link

- 1. Roll Call**
- 2. Affirmation of the Proof of Publication of the Agenda**
- 3. Approve Agenda**
- 4. Action Agenda**
 - a. 2020-21 Budget** Each year the board approves the budget and the tax levy as presented at the Annual Meeting
 - b. 2020-21 Tax Levy** See above
 - c. KASD Learning Model Metric Adjustment** We will review and possibly modify our metric.
 - d. Rescind the Motion Regarding the Approval of the Pool Design Made at the September 14, 2020 Regular School Board Meeting** This agenda item needs to be acted upon due to the motion and second taken at the October 12, 2020 Board meeting.
 - e. Direct District Administrator to Work with Quarles & Brady to Begin Drafting Resolution for Pool Referendum** The Board will need to approve this directive should they wish to move forward with a referendum for the pool.
 - f. Softball Field Bids (Attachment)** The bids for both of these projects are included in the packet.
 - 1) Scoreboards**
 - 2) Outfield Work**
- 5. Adjourn Meeting**

Thursday, October 22, 2020

CURRENT LEARNING MODEL:

MS/HS & Elementary Fully Virtual

Models are implemented for a minimum of two weeks at a time. Learning Model changes will be announced each Thursday by 4:00pm and take effect the following Monday.

Kickapoo Area Schools Case Counts

(Always Current)

Total Active Cases

1
0.18%

New Daily Cases

0
0.00%

Percentage of STUDENTS & STAFF (570)

Vernon County Bi-Weekly Case Rate Data

(Updated Thursdays) (Last Update Thursday, Oct 15, 2020)

46
per 10,000 over 14 Days

141 total cases over the last 14 days

Richland County Bi-Weekly Case Rate Data

(Updated Thursdays) (Last Update Thursday, Oct 15, 2020)

102
per 10,000 over 14 Days

184 total cases over the last 14 days

IF	OR	OR	THEN**
KASD Active Cases are:	Vernon County (per 10,000) is:	Richland County (per 10,000) is:	The Learning Model is:
	0-9	0-9	Full In-Person
	10-29	10-29	Elementary - In Person MS/HS - Cohort
	30-49	30-49	Elementary - Cohort (4K & 5th Grade ONLY) Secondary - Distance Learning
3% or higher	50+	50+	Distance Learning for all, extra curriculars canceled

**IF county levels are trending lower, and in school cases are extremely low, we will do our best to focus on keeping kids in school.

County Bi-Weekly Data (Number of cases per 10,000 over the 14 Days prior to the date listed) Updated each Thursday

Date

Vernon

Richland

Thursday, Oct 15, 2020	46	102	per 10,000 people
Thursday, Oct 8, 2020	45	88	per 10,000 people
Thursday, Oct 1, 2020	38	48	per 10,000 people
Thursday, Sept 24, 2020	22	23	per 10,000 people
Thursday, Sept 17, 2020	13	14	per 10,000 people
Thursday, Sept 10, 2020	12	12	per 10,000 people



Thank you for giving Daktronics the opportunity to be your equipment provider. It is important to us that we capture your vision for this project. The provided quote outlines your product selection. Please look it over carefully and work with your salesperson to review and answer any questions.

We look forward to partnering with you on this exciting opportunity!

Placing Order:

When you are ready to place your order, contact your salesperson to obtain order documents. Daktronics will need the following information:

- Finalized equipment decision, including colors
- Delivery location/address
- Bill to information – Invoice Remit

If you are incorporating school or sponsorship logos into your project, please view [Daktronics Graphics File Standards](#) and submit with your order documents.

Additional Information:

Our website and blog offer helpful information. Learn more about what our customers are talking about by visiting the following:

- Could your PA system use an upgrade?
 - Check out our [Sports Sound Systems](#).
- Wishing you could check off more items on your list of needs?
 - See how [Daktronics Sports Marketing](#) could add revenue to your budget.
- Curious what other schools have installed?
 - Look through our [Daktronics Sports Photo Gallery](#) for ideas.
- Did you know we have an in-house reliability laboratory?
 - Experience the testing your components undergo in our [Product Reliability Lab](#).
- Interested in financing options for orders over \$25,000?
 - View our [Getting Started Guide](#) to see what Daktronics offers.
- Want to view helpful information related to our products, in addition to stories on how other schools are developing students and generating revenue?
 - Check out our [blog](#).

DAKTRONICS QUOTE # 741976-1-0

Kickapoo Area School District
 Kent Petersen
 S6520 State Highway 131
 Viola, WI USA 54664
 Phone: (608)627-1494
 Fax: (608)627-0118
 Email: kpetersen@kickapoo.k12.wi.us

9/Sep/2020
 Quote valid for: 90 days
 Terms: Net 30 days from shipment with
 Purchase Order
 Subject to Credit Review
 FCA: DESTINATION
 Delivery: Call for Production Time

Reference: Baseball Scoreboard

Item No.	Model	Description	Qty	Price
1	BA-2518-A-PV-F	PanaView® Baseball/Softball Scoreboard; Scoreboard Color: Black (8800); Caption Color: White (7725-10) Cabinet Dimensions: 4' 0" H X 9' 0" W X 0' 8" D Digit Type: (Approx. Dimensions) Digit Color: PANAVIEW Max Power: AMBER Weight: 150 watts/display Unpackaged 96 lbs per display; Packaged 141 lbs per display	2	\$6,304.00
	Stripe; 0A-1091-0184	Border Stripe for BA-2518 Scoreboards; Color: White (7725-10)	2	
	RC-200 Handheld Controller Kit	Charger, Case and Inserts Included	2	
	RC-200 Scoreboard Receiver Kit	RC-200 Receiver (Base Station)	2	
	I-Beam Mounting Method (A)	For 2 I-Beams	2	
2	Physical Installation	See attachment A.	1	\$16,080.00
	System Startup	Final Commissioning of Equipment	1	
3	FREIGHT	Shipping to site via LTL (enclosed trailer). Usually unloads at a dock. Forklift or pallet jack may be required.	1	\$395.00
Services				
4	G5C5-W	Five Year Warranty - Parts Coverage - G5G5	1	

Total Price Excluding Applicable Tax:	\$22,779.00
--	--------------------

Please reference listed sales literature: DD1628383 for G5C5-W, DD1739303 for BA-2518-A-PV-F, DD3715714 for RC-200 Handheld Controller Kit, DD3888368 for DAK Score App with All Sport® MX-1 Mobile Scoring Kit, SL-04370 for Radio Receiver

Options

Please contact your sales representative for additional information

DAK Score App with All Sport® MX-1 Mobile Scoring Kit	DAK Score App with All Sport® MX-1 Mobile Scoring Kit and Gen VI Radio Transmitter	2	\$1,456.00
Radio Receiver	Frequency of 2.4 GHz	2	
Y-HARNESS FOR DUAL RADIOS - W-2914	HARNESS; DUAL RADIO, 6P MINI M TO 2 6P MINI F	2	
Angle Clamp Mounting Method (A)	For 2 Tubes	2	



DAKTRONICS QUOTE # 741976-1-0

Leasing Program

If your purchase exceeds \$25,000, you may qualify for our leasing program allowing you more flexibility to spread out the cost of your Daktronics display over of a period up to five (5) years. Benefits of our leasing program include fixed rate financing, non-appropriation clause, no prepayment penalty, and customizable payment schedules. Plus, at the end of the lease, the equipment is yours to keep with no additional balloon payments.

Sample payment options as follows:

\$50,000 in total equipment cost = \$10,700 per year

\$100,000 in total equipment cost = \$21,199 per year

\$250,000 in total equipment cost = \$52,899 per year

Payments based on 5 year/annual payment in advance structure. **Leasing is subject to credit approval and agreed upon documentation with Daktronics lending partner. Contact your Daktronics representative for additional options and details.

Notes: Due to the dynamic COVID-19 situation, the freight pricing and proposed schedule for delivery and performance of services are subject to change.

Exclusions:

- | | |
|------------------------------|--|
| - Power | - Hoist |
| - Engineering Certification | - Signal Conduit |
| - Labor to Pull Signal Cable | - Applicable Permits |
| - Taxes | - Electrical Switch Gear or Distribution Equipment |
| - Front End Equipment | |

Unless expressly stated otherwise in this Quote # 741976-1 Rev 0 or the attachments, if Daktronics performs installation of the Equipment, the price quoted does not include the following services pertaining to physical installations: digging of footings (including dirt removal), any materials fabrication, installation of steel cages, rebar, or bolt attachments, or pouring and finishing of concrete footings. Those service may be provided for an additional cost beyond the quoted price. Purchaser shall be fully responsible for any and all additional costs plus overhead in the event anything unexpected of any nature whatsoever is found while digging the footings including but are not limited to rock, water, utility lines, pipes or any other unforeseen circumstance. The Purchaser acknowledges and agrees that it is fully responsible for all site conditions.

Installation Responsibilities:

If applicable please reference Attachment A for Installation Responsibilities.

Ad/ID Copy Approval Process

Customer shall provide digital artwork for advertising and identification panels, conforming to [Daktronics' graphic file standards](#), at the time of order.

Daktronics will create a proof of provided artwork and require approval of that proof three weeks prior to the initial anticipated ship date. Advertising and identification panels not approved in time, will be shipped without copy in Daktronics' standard finish.

Marcus Marcellus
PHONE: 605-692-0200
FAX:
EMAIL: Marcus.Marcellus@daktronics.com

Ben Oestreich
PHONE:
FAX:
EMAIL: Ben.Oestreich@daktronics.com

Terms And Conditions:

The Terms and Conditions which apply to this order available on request.

SL-02374 Standard Warranty and Limitation of Seller's Liability (www.daktronics.com/terms_conditions/SL-02374.pdf)

SL-02375 Standard Terms and Conditions of Sale (www.daktronics.com/terms_conditions/SL-02375.pdf)

SL-07862 Software License Agreement (www.daktronics.com/terms_conditions/SL-07862.pdf)

NOTE:

The pricing may be adjusted for freight and taxes depending on the options selected.

Please request order documents to submit your order.

DAKTRONICS QUOTE # 741976-1-0 MAIN ATTACHMENT A

CUSTOMER RESPONSIBILITIES

General

- 1) Secure necessary sign permits, as required.
- 2) Secure necessary construction permits, as required.
- 3) Provide soil investigation report at time of order.
- 4) Mark location of the new Equipment as delineated in the quote.
- 5) Locate private underground utilities.
- 6) All landscaping restoration, as required.
- 7) Provide all landscaping, track, sidewalk and path protection along with site restoration, and/or sprinkler system repair work.

Structures

- 1) Not applicable

Electrical & Data

- 1) Provide primary power feed five (5) feet off grade on structure in the form of transformer and electrical disconnect/distribution panel, as applicable, with over current protection per all applicable electrical codes and regulations.

Product/Equipment

- 1) Provide storage of all Equipment and control equipment in a safe, dry, and secure location until installation.
- 2) Required power outlets on clean dedicated circuit(s) for all control equipment.

DAKTRONICS RESPONSIBILITIES

General

- 1) Not applicable

Structures

- 1) Excavation of drilled pier foundation(s) including spoils removal. Placement and finishing of concrete for foundations.
- 2) Steel fabrication and erection of structural columns.
- 3) Paint new support structure provided in this quotation.

Electrical & Data

- 1) Provide secondary power conduits, power cable and power hook-up from five (5) feet off grade on structure to all Daktronics supplied load centers/termination panel at/within the Equipment.

Product/Equipment

- 1) Accept, lift, unload, and inspect all Equipment and control equipment from carrier.
- 2) Lift and mount Equipment listed in this quotation.

QUALIFICATIONS/CLARIFICATIONS

- 1) **Access:** Daktronics requires unobstructed access to Equipment and control room installation site until display is 100%. Installation equipment (cranes, lifts, trucks, concrete trucks, etc.) are expected to have access directly to the scoreboard/structure location. No concrete pumping, concrete buggies, or crane picks over 10' distance from scoreboard structure are included.
- 2) **Foundations:** For this quotation Daktronics basis for foundation design is a class 4 soil with a minimum allowable lateral bearing pressure of 150 psf/ft per Chapter 18 of the International Building Code (IBC). The foundation excavation is based on the excavated area remaining open without collapsing to allow the placement of applicable reinforcement and/or structural columns and concrete. This quotation does not include casings, slurry, dewatering or any other soil stabilization. In the event rock, water, differing soil conditions other than class 4 soil per Chapter 18 of the International Building Code (IBC) or unforeseen conditions are encountered, the Customer will be responsible for any additional costs, plus overhead and profit of 20%.
- 3) **Electrical:** The maximum voltage is 120 volts line to neutral for all Equipment in this quotation.
- 4) **Exterior Equipment:** The bottom of the Equipment will be placed at an elevation of ten (10) feet above grade.

DAKTRONICS BA-2518 PRODUCT SPECIFICATIONS



This outdoor LED baseball/softball scoreboard displays HOME and GUEST scores to 99, INNING to 9 and indicates BALL to three, STRIKE to two and OUT to two. Scoreboard shown with optional striping and amber PanaView® digits.

DIMENSIONS	UNCRATED WEIGHT	POWER (120 VAC)*	
4'-0" H x 9'-0" W x 8" D (1.22 m, 2.74 m, 203 mm)	96 lb (44 kg)	Red/Amber Digits	80 Watts, 0.7 Amp
		White Digits	160 Watts, 1.4 Amps

*Scoreboard requires a dedicated circuit. Models with 240 VAC power at half the indicated amperage are also offered (International Use Only).

DIGITS & INDICATORS

- All digits are 18" (457 mm) high. All indicators are 2" (51 mm) in diameter.
- Select red, amber, or white LED digits and indicators.
- Scoreboard features robust weather-sealed digits (see [DD2495646](#)).
- Digits may be dimmed for night viewing.

CAPTIONS

- HOME, GUEST and INNING captions are 8" (203 mm) high. All other captions are 6" (152 mm) high.
- Standard captions are vinyl, applied to the display face.

DISPLAY COLOR

Choose from 150+ colors (from Martin Senour® paint book) at no additional cost.

CONSTRUCTION

Alcoa aluminum alloy 5052 for excellent corrosion resistance

PRODUCT SAFETY APPROVAL

ETL-listed to UL 48, tested to CSA standards, and CE-labeled

OPERATING TEMPERATURES

- Display: -22° to 122° Fahrenheit (-30° to 50° Celsius)
- Console: 32° to 130° Fahrenheit (0° to 54° Celsius)

WWW.DAKTRONICS.COM E-MAIL: SALES@DAKTRONICS.COM

201 Daktronics Drive, PO Box 5128, Brookings, SD 57006
 Phone: 1-800-325-8766 or 605-692-0200 Fax: 605-697-4746
 DD1739303 031120 Page 1 of 8



DAKTRONICS BA-2518 PRODUCT SPECIFICATIONS

CONTROL CONSOLES	CONTROL OPTIONS
<p>All Sport® 1600* (see SL-04352)</p> <p><i>*May be upgraded to</i> All Sport 5000 (see SL-03991)</p>	<p>Wired (standard): One-pair shielded cable of 22 AWG minimum is required. A cover plate with mounted connector and standard 2" x 4" x 2" (51 mm x 102 mm x 51 mm) outlet box is provided. Connector mates with signal cable from control console.</p> <hr/> <p>Wireless (optional): 2.4 GHz spread spectrum radio features 64 non-interfering channels and 8 broadcast groups (see SL-04370).</p>
<p>RC-200 (see DD3715714)</p>	<p>Optional wireless handheld controller features 2.4 GHz spread spectrum radio with 64 non-interfering channels and 8-10 hours of operation via internal rechargeable battery.</p>

MOUNTING

Scoreboard is typically mounted on two vertical beams or poles. Hardware to mount scoreboard on two beams is included; hardware for more beams is at additional cost. Standard mounting uses I-beam clamps. Optional mounting method using angle brackets is also offered; maximum beam width is 10" (254 mm) and maximum beam depth is 13" (330 mm). Refer to attached drawings for more information on mounting methods.

SERVICE ACCESS

Digit panels and electronics are serviced from the front of the scoreboard.

GENERAL INFORMATION

Scoreboard provides scoring capabilities for two teams. 100% solid state electronics are housed in an all aluminum cabinet. Scoreboard is shipped in one section. Scoreboard power is to be provided on a dedicated circuit to prevent loss of game information due to failure of another component on the circuit. Specifications and pricing are subject to change without notice.

OPTIONS & ACCESSORIES

- Scoreboard border striping
- Multiple caption and striping colors (see [DD2101644](#))
- Team name caption in place of HOME
- Individual digit protective screens (see [SL-04939](#))
- Protective netting (see [DD2690927](#))
- Optional angle bracket mounting method
- Advertising/identification panels
- Decorative accents
- Electronic message centers and video displays in multiple sizes

ADVERTISING/IDENTIFICATION PANELS

Backlit & Non-Backlit Top/Bottom:

- 1'-6" H x 9'-0" W (457 mm, 2.74 m)
- 2'-0" H x 9'-0" W (610 mm, 2.74 m)
- 2'-6" H x 9'-0" W (762 mm, 2.74 m)

Non-Backlit Sides:

- 4'-0" H x 4'-0" W (1.22 m, 1.22 m)

For additional non-backlit panel sizes, see [SL-03761](#).

FOR ADDITIONAL INFORMATION

- Installation Specifications: DWG-1183247 (attached)
 - > One Ad Panel: DWG-1174962 (attached)
 - > Two Ad Panels: DWG-1183252 (attached)
- Standard I-beam Mounting: DWG-1129110 (attached)
- Optional Pole Mounting: DWG-1130246 (attached)
- Component Locations: DWG-1124598 (attached)
- Architectural Specifications: See [DD1739294](#)

NOTES:

1. FOOTING AND COLUMN SIZES ARE SUGGESTIONS ONLY, PROVIDED TO ASSIST WITH ESTIMATING INSTALLATION COSTS AND ARE NOT INTENDED FOR CONSTRUCTION PURPOSES. THE DESIGN MUST BE CERTIFIED BY A PROFESSIONAL ENGINEER LICENSED IN THE STATE OF THE INSTALLATION BEFORE THEY CAN BE USED FOR FABRICATION OR ERECTION.

2. INTERNATIONAL BUILDING CODE 2012 USED IN DESIGN OF COLUMNS AND FOOTINGS WITH, IMPORTANCE FACTOR=1, Kzt=1.0, Kd=0.85, G=0.85. SEISMIC DESIGN WAS NOT CONSIDERED.

3. FOOTING DIMENSIONS ARE BASED ON ASSUMED SOIL CLASS 4 (ALLOWABLE LATERAL BEARING PRESSURE OF 150 psf).

4. STRUCTURAL STEEL IS GRADE A992 (50 ksi) STEEL. CONCRETE SHALL HAVE A MINIMUM 28 DAY COMPRESSIVE STRENGTH OF 2500 psi.

5. THE AVERAGE DISPLAY WEIGHT FOR A LAYOUT CAN NOT EXCEED 8 PSF.

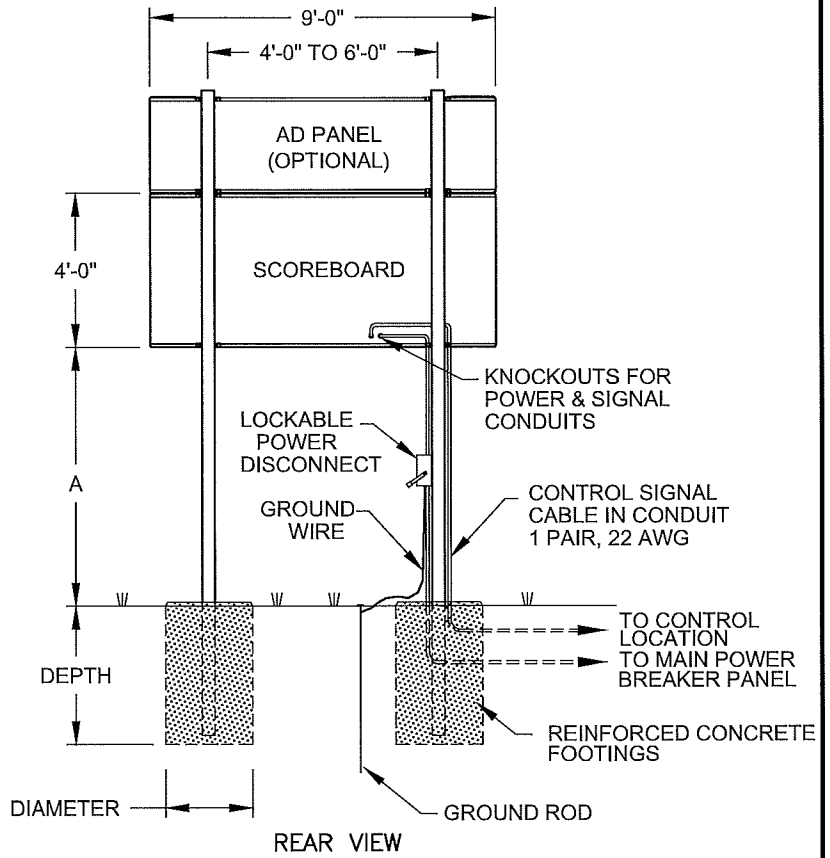
6. DAKTRONICS INC. IS NOT RESPONSIBLE FOR STRUCTURES DESIGNED AND INSTALLED BY OTHERS.

7. LOCAL BUILDING OFFICIALS SHOULD BE CONTACTED TO DETERMINE THE WIND SPEED AND EXPOSURE CATEGORY FOR THE PROPOSED SIGN LOCATION. THE EXPOSURE CATEGORIES B AND C ARE DEFINED AS:

EXPOSURE B - URBAN AND SUBURBAN AREAS, WOODED AREAS, OR OTHER TERRAIN WITH NUMEROUS CLOSELY SPACED OBSTRUCTIONS HAVING THE SIZE OF SINGLE-FAMILY DWELLINGS OR LARGER. THESE CONDITIONS MUST PREVAIL FOR A DISTANCE FROM THE SIGN OF AT LEAST 2,600 ft OR 20 TIMES THE SIGN HEIGHT, WHICHEVER IS GREATER

EXPOSURE C - OPEN TERRAIN WITH SCATTERED OBSTRUCTIONS HAVING HEIGHTS GENERALLY LESS THAN 30 FT. THIS CATEGORY INCLUDES FLAT OPEN COUNTRY, GRASSLANDS, AND ALL WATER SURFACES IN HURRICANE PRONE REGIONS.

8. FOR SPECIFIC PRODUCT DETAILS ON WEIGHT, MOUNTING, ETC. REFER TO THE INDIVIDUAL PRODUCT SPECIFICATION SHEETS.



EXPOSURE B

MODEL BA-2518 WITHOUT AD PANEL						
DISTANCE "A" (SEE FIGURE)	TOTAL DISPLAY SIZE		DESIGN WIND VELOCITY			
			115 MPH	130 MPH	150 MPH	170 MPH
10'-0"	9'-0" x 4'-0"	BEAM FOOTING	W8x10 2'-0"x4'-6"	W8x13 2'-0"x5'-0"	W8x15 2'-0"x6'-0"	W8x17 2'-0"x6'-6"
15'-0"	9'-0" x 4'-0"	BEAM FOOTING	W8x18 2'-0"x5'-6"	W8x18 2'-0"x6'-0"	W8x21 2'-0"x6'-6"	W8x21 2'-0"x7'-0"

EXPOSURE C

MODEL BA-2518 WITHOUT AD PANEL				
DISTANCE "A" (SEE FIGURE)	TOTAL DISPLAY SIZE		DESIGN WIND VELOCITY	
			115 MPH	140 MPH
10'-0"	9'-0" x 4'-0"	BEAM FOOTING	W8x13 2'-0"x5'-6"	W10x17 2'-0"x6'-6"
15'-0"	9'-0" x 4'-0"	BEAM FOOTING	W8x18 2'-0"x6'-0"	W8x21 2'-0"x7'-0"

FOOTING = DIAMETER X DEPTH

EXPOSURE C

MODEL BA-2518 WITH 30"-HIGH HORIZONTAL AD PANEL				
DISTANCE "A" (SEE FIGURE)	TOTAL DISPLAY SIZE		DESIGN WIND VELOCITY	
			115 MPH	140 MPH
10'-0"	9'-0" x 6'-6"	BEAM FOOTING	W8x18 2'-0"x6'-6"	W8x21 2'-0"x7'-6"
15'-0"	9'-0" x 6'-6"	BEAM FOOTING	W6x20 2'-0"x7'-6"	W8x24 2'-0"x8'-6"

EXPOSURE B

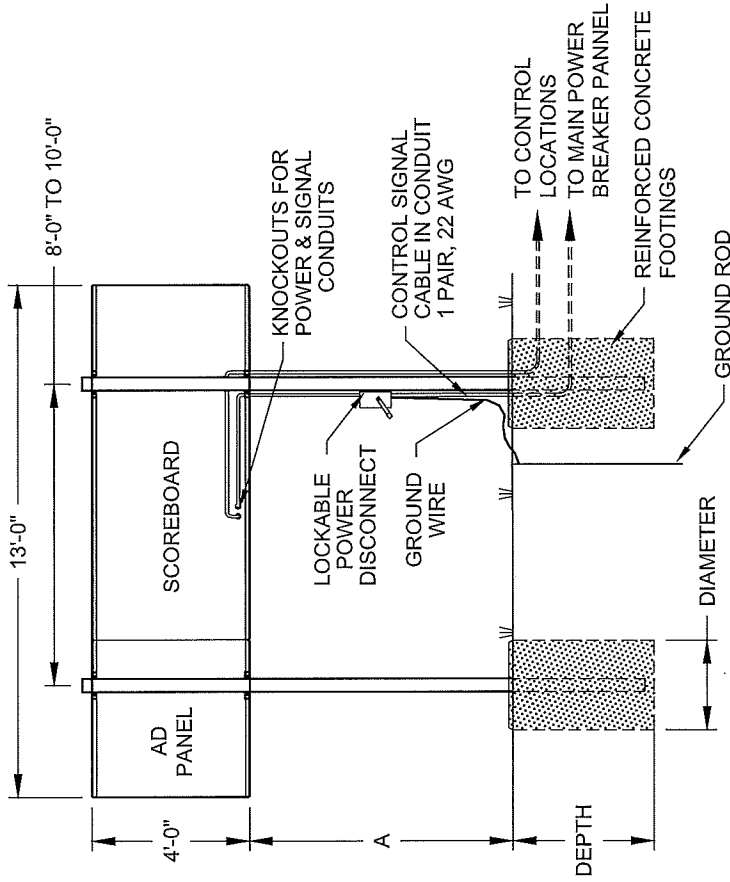
MODEL BA-2518 WITH 30"-HIGH HORIZONTAL AD PANEL						
DISTANCE "A" (SEE FIGURE)	TOTAL DISPLAY SIZE "B"		DESIGN WIND VELOCITY			
			115 MPH	130 MPH	150 MPH	170 MPH
10'-0"	9'-0" x 6'-6"	BEAM FOOTING	W6x15 2'-0"x5'-6"	W6x20 2'-0"x6'-0"	W8x21 2'-0"x6'-6"	W8x21 2'-0"x7'-0"
15'-0"	9'-0" x 6'-6"	BEAM FOOTING	W8x21 2'-0"x6'-6"	W8x24 2'-0"x7'-0"	W8x24 2'-0"x7'-6"	W8x24 2'-0"x8'-6"

D	DAKTRONICS, INC.		THE CONCEPTS EXPRESSED AND DETAILS SHOWN ON THIS DRAWING ARE CONFIDENTIAL AND PROPRIETARY. DO NOT REPRODUCE BY ANY MEANS WITHOUT THE EXPRESS WRITTEN CONSENT OF DAKTRONICS, INC. COPYRIGHT 2014 DAKTRONICS, INC.	
	BROOKINGS, SD 57008			
DO NOT SCALE DRAWING				
PROJ: OUTDOOR SCOREBOARDS				
TITLE: INSTALLATION SPECIFICATIONS- BA-2518				
DESIGN: A VANBEMMEL		DRAWN: TTASCHN		DATE: 22JUL14
SCALE: 1=60				
SHEET	REV	JOB NO:	FUNC-TYPE-SIZE	1183247
	00	P 1091	R - 10 - A	

REV	DATE:	BY:
-----	-------	-----

NOTES:

- FOOTING AND COLUMN SIZES ARE SUGGESTIONS ONLY. PROVIDED TO ASSIST WITH ESTIMATING INSTALLATION COSTS AND ARE NOT INTENDED FOR CONSTRUCTION PURPOSES. THE DESIGN MUST BE CERTIFIED BY A PROFESSIONAL ENGINEER LICENSED IN THE STATE OF THE INSTALLATION BEFORE THEY CAN BE USED FOR FABRICATION OR ERECTION.
- INTERNATIONAL BUILDING CODE 2012 USED IN DESIGN OF COLUMNS AND FOOTINGS WITH IMPORTANCE FACTOR=1, Kz=1.0, Kd=0.85, G=0.85. SEISMIC DESIGN WAS NOT CONSIDERED.
- FOOTING DIMENSIONS ARE BASED ON ASSUMED SOIL CLASS 4 (ALLOWABLE LATERAL BEARING PRESSURE OF 150 psf).
- STRUCTURAL STEEL IS GRADE A992 (50 ksi) STEEL. CONCRETE SHALL HAVE A MINIMUM 28 DAY COMPRESSIVE STRENGTH OF 2500 psi.
- THE AVERAGE DISPLAY WEIGHT FOR A LAYOUT CAN NOT EXCEED 8 PSF.
- DAKTRONICS INC. IS NOT RESPONSIBLE FOR STRUCTURES DESIGNED AND INSTALLED BY OTHERS.
- LOCAL BUILDING OFFICIALS SHOULD BE CONTACTED TO DETERMINE THE WIND SPEED AND EXPOSURE CATEGORY FOR THE PROPOSED SIGN LOCATION. THE EXPOSURE CATEGORIES B AND C ARE DEFINED AS:
 EXPOSURE B - URBAN AND SUBURBAN AREAS, WOODED AREAS, OR OTHER TERRAIN WITH NUMEROUS CLOSELY SPACED OBSTRUCTIONS HAVING THE SIZE OF SINGLE-FAMILY DWELLINGS OR LARGER. THESE CONDITIONS MUST PREVAIL FOR A DISTANCE FROM THE SIGN OF AT LEAST 2,600 ft OR 20 TIMES THE SIGN HEIGHT, WHICHEVER IS GREATER
 EXPOSURE C - OPEN TERRAIN WITH SCATTERED OBSTRUCTIONS HAVING HEIGHTS GENERALLY LESS THAN 30 FT. THIS CATEGORY INCLUDES FLAT OPEN COUNTRY, GRASSLANDS, AND ALL WATER SURFACES IN HURRICANE PRONE REGIONS.
- FOR SPECIFIC PRODUCT DETAILS ON WEIGHT, MOUNTING, ETC. REFER TO THE INDIVIDUAL PRODUCT SPECIFICATION SHEETS.



REAR VIEW

EXPOSURE B

HEIGHT ABOVE GRADE (A) (FT)	DISPLAY HEIGHT (FT)	COLUMN FOOTING	DESIGN WIND VELOCITY		
			115 MPH	130 MPH	150 MPH
10'	4'-0"	COLUMN	W6X15	W6X15	W6X20
		FOOTING	2'-0"X5'-6"	2'-0"X6'-0"	2'-0"X7'-0"
15'	4'-0"	COLUMN	W6X20	W6X24	W6X24
		FOOTING	2'-0"X6'-6"	2'-0"X7'-0"	2'-0"X8'-6"

EXPOSURE C

HEIGHT ABOVE GRADE (A) (FT)	DISPLAY HEIGHT (FT)	COLUMN FOOTING	DESIGN WIND VELOCITY		
			115 MPH	140 MPH	170 MPH
10'	4'-0"	COLUMN	W6X15	W6X20	W6X20
		FOOTING	2'-0"X6'-6"	2'-0"X7'-6"	2'-0"X7'-6"
15'	4'-0"	COLUMN	W6X20	W6X24	W6X24
		FOOTING	2'-0"X7'-6"	2'-0"X8'-6"	2'-0"X8'-6"

FOOTING DIMENSIONS = DIAMETER X DEPTH

REV 01	DATE: 01 APR 16	REMOVED MODEL NUMBERS TO MAKE DWG GENERIC	BY: KDD
		THE CONCEPTS EXPRESSED AND DETAILS SHOWN ON THIS DRAWING ARE CONFIDENTIAL AND PROPRIETARY. DO NOT REPRODUCE BY ANY MEANS WITHOUT THE EXPRESS WRITTEN CONSENT OF DAKTRONICS, INC. OR ITS WHOLLY OWNED SUBSIDIARIES. COPYRIGHT 2016 DAKTRONICS, INC. (USA)	
PROJECT: OUTDOOR LED SCOREBOARDS			
TITLE: INSTALLATIONS SPECS: 4'X9' MODELS- 1 AD, 13' WIDE DISPLAY			
DATE: 21 MAY 14		DIM UNITS: INCHES [MILLIMETERS]	
SCALE: 1/80		DO NOT SCALE DRAWING	
DESIGN: TTASCHN	JOB NO. P1192	FUNC.-TYPE.-SIZE R. 10 - A	1174962
DRAWN: TTASCHN			

NOTES:

1. FOOTING AND COLUMN SIZES ARE SUGGESTIONS ONLY, PROVIDED TO ASSIST WITH ESTIMATING INSTALLATION COSTS AND ARE NOT INTENDED FOR CONSTRUCTION PURPOSES. THE DESIGN MUST BE CERTIFIED BY A PROFESSIONAL ENGINEER LICENSED IN THE STATE OF THE INSTALLATION BEFORE THEY CAN BE USED FOR FABRICATION OR ERECTION.

2. INTERNATIONAL BUILDING CODE 2012 USED IN DESIGN OF COLUMNS AND FOOTINGS WITH, IMPORTANCE FACTOR=1, Kzt=1.0, Kd=0.85, G=0.85. SEISMIC DESIGN WAS NOT CONSIDERED.

3. FOOTING DIMENSIONS ARE BASED ON ASSUMED SOIL CLASS 4 (ALLOWABLE LATERAL BEARING PRESSURE OF 150 psf).

4. STRUCTURAL STEEL IS GRADE A992 (50 ksi) STEEL. CONCRETE SHALL HAVE A MINIMUM 28 DAY COMPRESSIVE STRENGTH OF 2500 psi.

5. THE AVERAGE DISPLAY WEIGHT FOR A LAYOUT CAN NOT EXCEED 8 PSF.

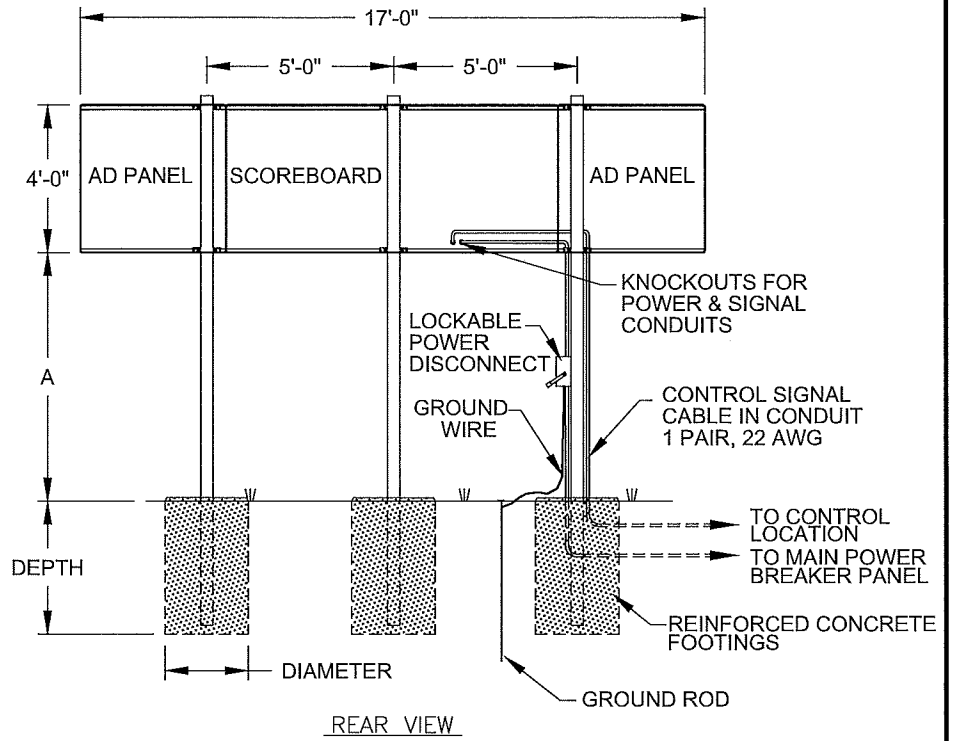
6. DAKTRONICS INC. IS NOT RESPONSIBLE FOR STRUCTURES DESIGNED AND INSTALLED BY OTHERS.

7. LOCAL BUILDING OFFICIALS SHOULD BE CONTACTED TO DETERMINE THE WIND SPEED AND EXPOSURE CATEGORY FOR THE PROPOSED SIGN LOCATION. THE EXPOSURE CATEGORIES B AND C ARE DEFINED AS:

EXPOSURE B - URBAN AND SUBURBAN AREAS, WOODED AREAS, OR OTHER TERRAIN WITH NUMEROUS CLOSELY SPACED OBSTRUCTIONS HAVING THE SIZE OF SINGLE-FAMILY DWELLINGS OR LARGER. THESE CONDITIONS MUST PREVAIL FOR A DISTANCE FROM THE SIGN OF AT LEAST 2,600 ft OR 20 TIMES THE SIGN HEIGHT, WHICHEVER IS GREATER

EXPOSURE C - OPEN TERRAIN WITH SCATTERED OBSTRUCTIONS HAVING HEIGHTS GENERALLY LESS THAN 30 FT. THIS CATEGORY INCLUDES FLAT OPEN COUNTRY, GRASSLANDS, AND ALL WATER SURFACES IN HURRICANE PRONE REGIONS.

8. FOR SPECIFIC PRODUCT DETAILS ON WEIGHT, MOUNTING, ETC. REFER TO THE INDIVIDUAL PRODUCT SPECIFICATION SHEETS.



EXPOSURE B


MODEL BA-2518 WITH SIDE AD PANELS @2						
DISTANCE "A" (SEE FIGURE)	TOTAL DISPLAY SIZE		DESIGN WIND VELOCITY			
			115 MPH	130 MPH	150 MPH	170 MPH
10'-0"	17'-0" x 4'-0"	BEAM FOOTING	W6X15 3'-0" X 4'-0"	W6X15 3'-0" X 4'-6"	W6X15 3'-0" X 5'-0"	W6X15 3'-0" X 5'-6"
15'-0"	17'-0" x 4'-0"	BEAM FOOTING	W8X18 3'-0" X 4'-6"	W8X21 3'-0" X 5'-0"	W8X21 3'-0" X 5'-6"	W4X13 3'-0" X 6'-0"

FOOTING = DIAMETER X DEPTH

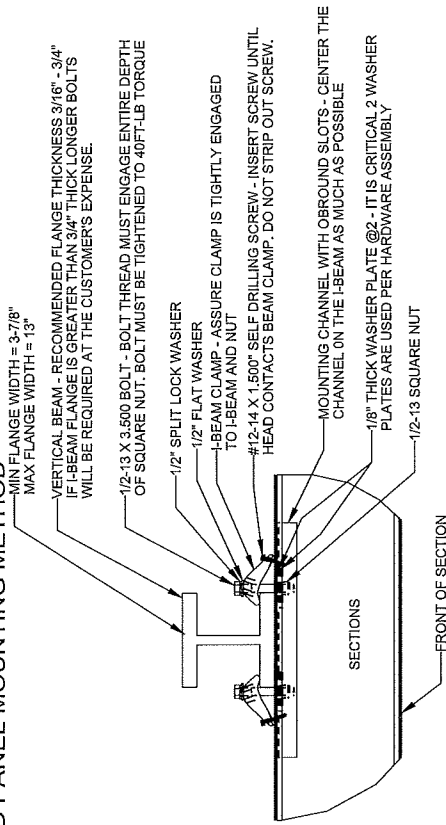
EXPOSURE C

MODEL BA-2518 WITH SIDE AD PANELS @2				
DISTANCE "A" (SEE FIGURE)	TOTAL DISPLAY SIZE		DESIGN WIND VELOCITY	
			115 MPH	140 MPH
10'-0"	17'-0" x 4'-0"	BEAM FOOTING	W6X15 3'-0" X 4'-6"	W6X15 3'-0" X 5'-0"
15'-0"	17'-0" x 4'-0"	BEAM FOOTING	W8X21 3'-0" X 5'-0"	W8X24 3'-0" X 5'-6"

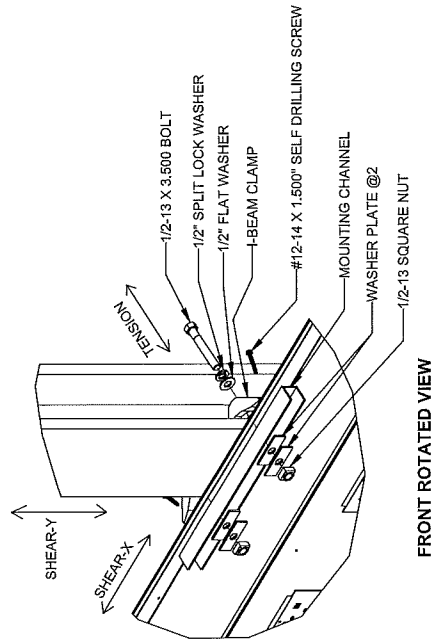
FOOTING = DIAMETER X DEPTH

 DAKTRONICS, INC. BROOKINGS, SD 57006 DO NOT SCALE DRAWING	THE CONCEPTS EXPRESSED AND DETAILS SHOWN ON THIS DRAWING ARE CONFIDENTIAL AND PROPRIETARY. DO NOT REPRODUCE BY ANY MEANS WITHOUT THE EXPRESS WRITTEN CONSENT OF DAKTRONICS, INC. COPYRIGHT 2014 DAKTRONICS, INC.		
	PROJ: OUTDOOR SCOREBOARDS TITLE: INSTALLATION SPECIFICATIONS- BA-2518 W/ 2 ADS		
DESIGN: JBRIGGS	DRAWN: TTASCHN	DATE: 22JUL14	
SCALE: 1=100			
REV	DATE:	BY:	
SHEET	REV	JOB NO:	FUNC-TYPE-SIZE
	00	P 1091	R - 08 - A
			1183252

STANDARD SHEETMETAL SCOREBOARD/BACKLIT AD PANEL MOUNTING METHOD

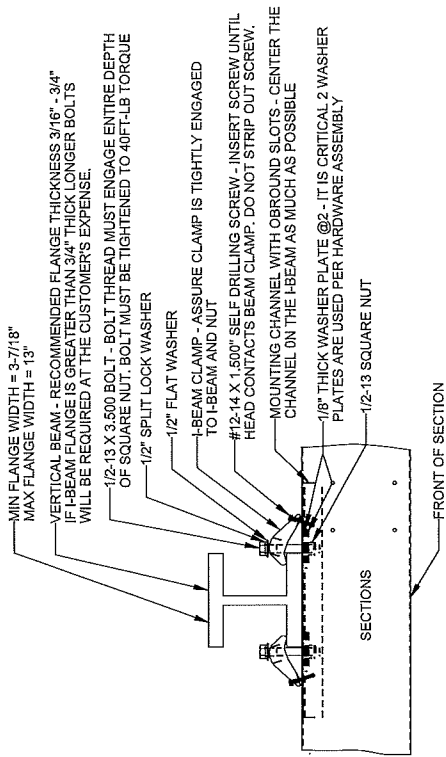


TOP VIEW



FRONT ROTATED VIEW

STANDARD NON-BACKLIT AD PANEL MOUNTING METHOD

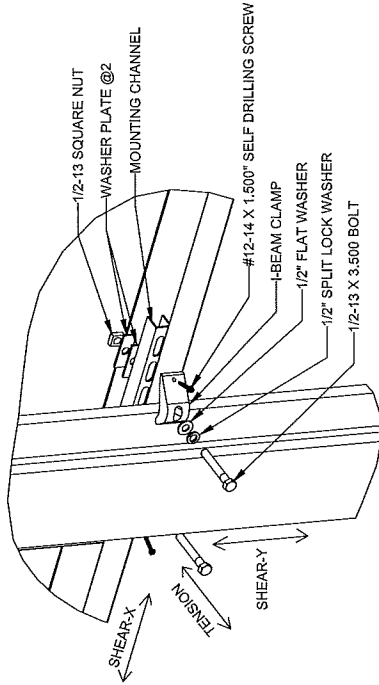


TOP VIEW

QUALIFIED FOR SECTIONS UP TO 5' IN HEIGHT USING RECOMMENDED STRUCTURE

ALLOWABLE CAPACITY PER EACH CLAMP:
SHEAR = 160 LBS
TENSION = 1376 LBS
SHEAR AND TENSION LOAD DIRECTION ARE AS INDICATED ON ROTATED VIEWS

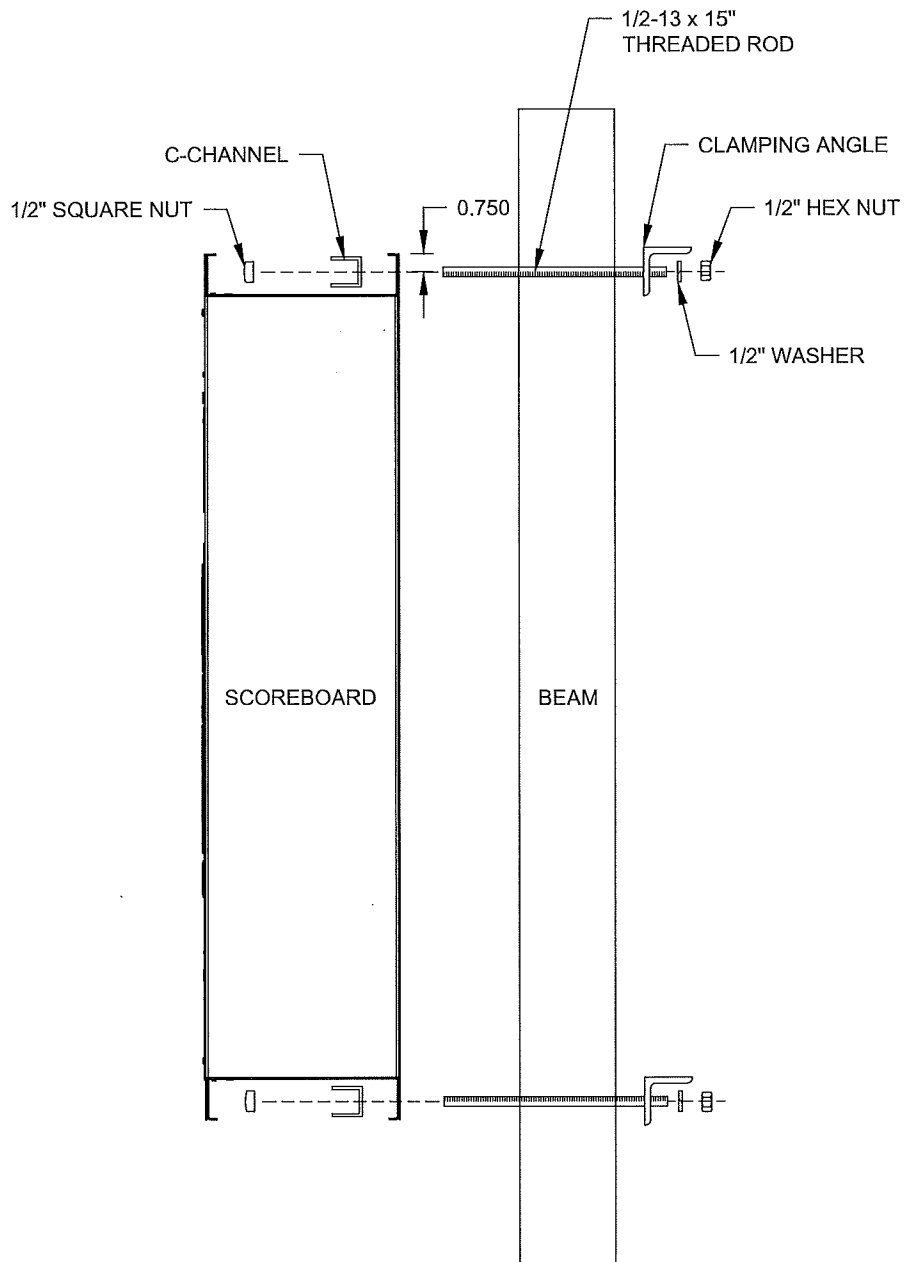
- MOUNTING INSTRUCTIONS:**
1. LIFT THE FIRST SECTION OF THE DISPLAY INTO POSITION AGAINST I-BEAMS.
 - NOTE: IF THE DISPLAY IS MADE UP OF MULTIPLE SECTIONS ALWAYS INSTALL THE BOTTOM SECTION FIRST AND WORK UP, STARTING ON THE TOP OF THE SECTION BEING INSTALLED MARK AND DRILL 9/16" HOLES IN THE CENTER OF THE TOP FLANGE OF THE SECTION. MAKE SURE THE HOLES ARE POSITIONED AS CLOSE TO THE I-BEAM FLANGES AS POSSIBLE.
 3. INSTALL ALL THE HARDWARE SHOWN PROVIDED AND TIGHTEN THE SECTION IN THE DESIRED LOCATION.
 4. REPEAT THE SECTION MOUNTING STEPS ABOVE.
 5. IF THE DISPLAY IS MADE OF MULTIPLE SECTIONS REPEAT THE ENTIRE PROCEDURE ABOVE.
 6. ENSURE ALL 1/2" HARDWARE IS TORQUED TO THE SPECIFIED AMOUNT.



REAR ROTATED VIEW


DAKTRONICS, INC. BROOKINGS, SD 57006		THE CONCEPTS EXPRESSED AND DETAILS SHOWN ON THIS DRAWING ARE THE PROPERTY OF DAKTRONICS, INC. NO REPRODUCTION OR TRANSMISSION OF THIS DRAWING IS PERMITTED WITHOUT THE WRITTEN CONSENT OF DAKTRONICS, INC. COPYRIGHT © 2010 DAKTRONICS, INC.	
PROJECT: OUTDOOR SCOREBOARD			
TITLE: I-BEAM CLAMP MOUNTING, SHEET METAL ATTACHMENT			
DESIGN: KSCHNABEL	DRAWN: KSCHNABEL	DATE: 17-JUN-15	
SCALE: 1/8"	SHEET: 1/8	JOB NO:	
REV: 1 OF 1	REV: 02	P: 1753	E - 10 - B
			1129110

REV: 02	DATE: 17 JUN 15	BY: AMP	CHANGED TENSION CAPACITY TO 1376 LBS ADDED MINIMUM AND MAXIMUM FLANGE WIDTHS
REV: 01	DATE: 8 JUN 14	BY: JAW	ADDED ALLOWABLE TENSION AND SHEAR CAPACITY DETAILS ADDED TO THE MOUNTING DETAILS CHANGED DIMS TO 1/8"

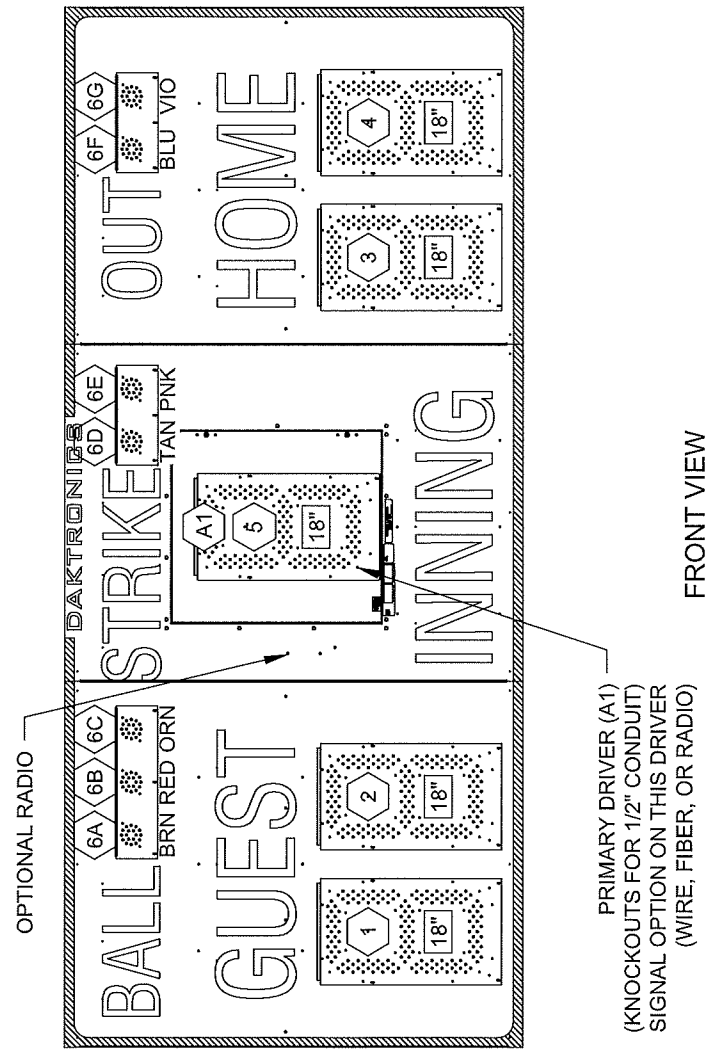


MOUNTING INSTRUCTIONS:

1. USE THE MOUNTING CHANNEL TO DETERMINE WHICH HOLE COMBINATION SHOULD BE USED. BE SURE TO KEEP THE BOLT AS CLOSE TO THE BEAM AS POSSIBLE.
2. USING THE MOUNTING CHANNEL AS A TEMPLATE, DRILL 9/16" HOLES IN THE UPPER AND LOWER REAR FLANGE OF SCOREBOARDS WHERE THE SUPPORTS WILL GO.
3. PLACE SQUARE NUTS INSIDE CHANNEL AND THREAD BOLTS THROUGH.
4. LIFT SCOREBOARD INTO POSITION WITH BOLTS STILL IN PLACE.
5. PLACE MOUNTING ANGLES OVER EACH PAIR OF BOLTS AND SECURE WITH LOCK WASHERS AND HEX NUTS.
6. WHEN SCOREBOARD IS ADJUSTED TO FINAL DESIRED POSITION, TIGHTEN HEX NUTS FIRMLY.

 DAKTRONICS, INC. BROOKINGS, SD 57006 DO NOT SCALE DRAWING		THE CONCEPTS EXPRESSED AND DETAILS SHOWN ON THIS DRAWING ARE CONFIDENTIAL AND PROPRIETARY. DO NOT REPRODUCE BY ANY MEANS WITHOUT THE EXPRESSED WRITTEN CONSENT OF DAKTRONICS, INC. COPYRIGHT 2013 DAKTRONICS, INC.	
		PROJ: OUTDOOR SHEET METAL SCOREBOARDS TITLE: SCOREBOARD MOUNTING	
DESIGN: KDRAGT		DRAWN: KDRAGT	
SCALE: 1=8		DATE: 14 MAR 13	
SHEET	REV	JOB NO:	FUNC-TYPE-SIZE
	00	P1753	E - 10 - A
			1130246

BA-2518-R/A/W



FRONT VIEW

NOTES:


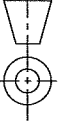
③ = DRIVER CONNECTOR WIRED TO THAT DIGIT

18" = DIGIT SIZE

⑥B = DRIVER CONNECTOR AND SEGMENT (PIN) # WIRED TO THAT INDICATOR

①A = DRIVER NUMBER

PRIMARY DRIVER (A1)
(KNOCKOUTS FOR 1/2" CONDUIT)
SIGNAL OPTION ON THIS DRIVER
(WIRE, FIBER, OR RADIO)

REV 02	DATE: 03 MAR 20	PER CN-99228; UPDATED LOCATION OF RADIO ANTENNA	BY: KDM
REV 01	DATE: 03 MAR 15	PER EC-17119; ADDED SIGNAL OPTION NOTE AND REMOVED DETAIL VIEWS	BY: ZSW
 <p>THE CONCEPTS EXPRESSED AND DETAILS SHOWN ON THIS DRAWING ARE CONFIDENTIAL AND PROPRIETARY. DO NOT REPRODUCE BY ANY MEANS WITHOUT THE EXPRESS WRITTEN CONSENT OF DAKTRONICS, INC. OR ITS WHOLLY OWNED SUBSIDIARIES. COPYRIGHT 2020 DAKTRONICS, INC. (USA)</p>			
PROJECT: OUTDOOR SHEETMETAL SCOREBOARDS			
TITLE: COMPONENT LOCATION; BA-2518-R/A/W			
DATE: 16 JAN 13	DIM UNITS: INCHES [MILLIMETERS]		REV 02
SCALE: 1=20	DO NOT SCALE DRAWING		
DESIGN: KDRAGT	JOB NO. P-1753	FUNC.-TYPE - SIZE E - 10 - A	1124598
DRAWN: KDRAGT			

Softball Playing Field Bids
Attachment for 10/26/2020 Special Board Meeting

1. Kellogg Brush Hogging
 - Leveling, seeding, mulching. Grading to be done with skid steer and bucket, to include filling in low spots. \$2,600.00
 - Laser leveling the whole outfield and reseeding will be \$8,000.00-\$10,000.00

2. C and C Estimate
 - Leveling, seeding, bringing in black dirt, fertilize, mulch, \$5,480.00. Grading to be done with Skid steer and bucket, other attachments.