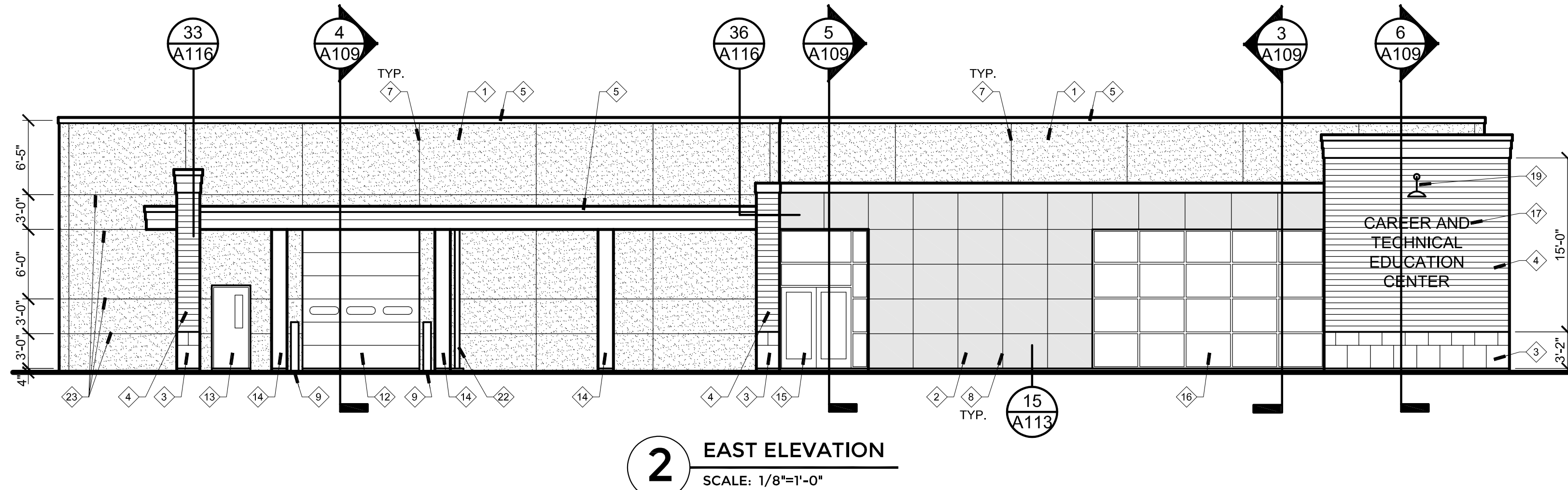
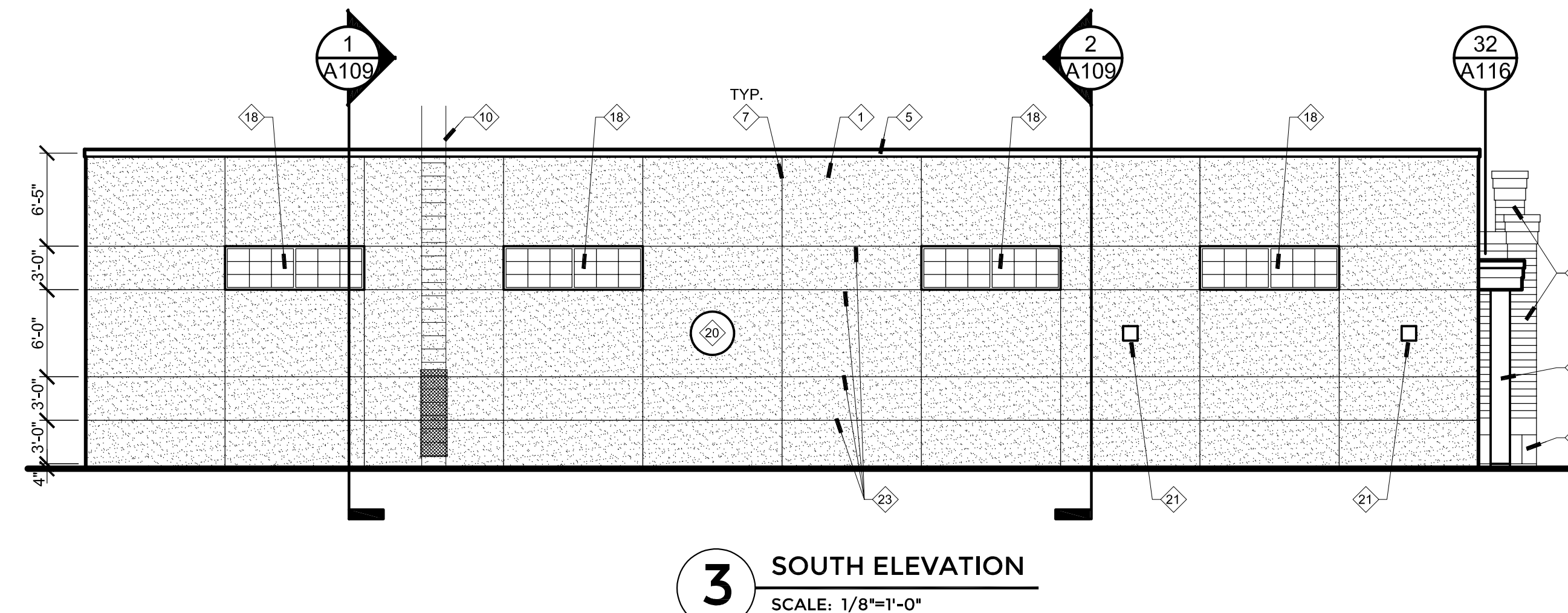


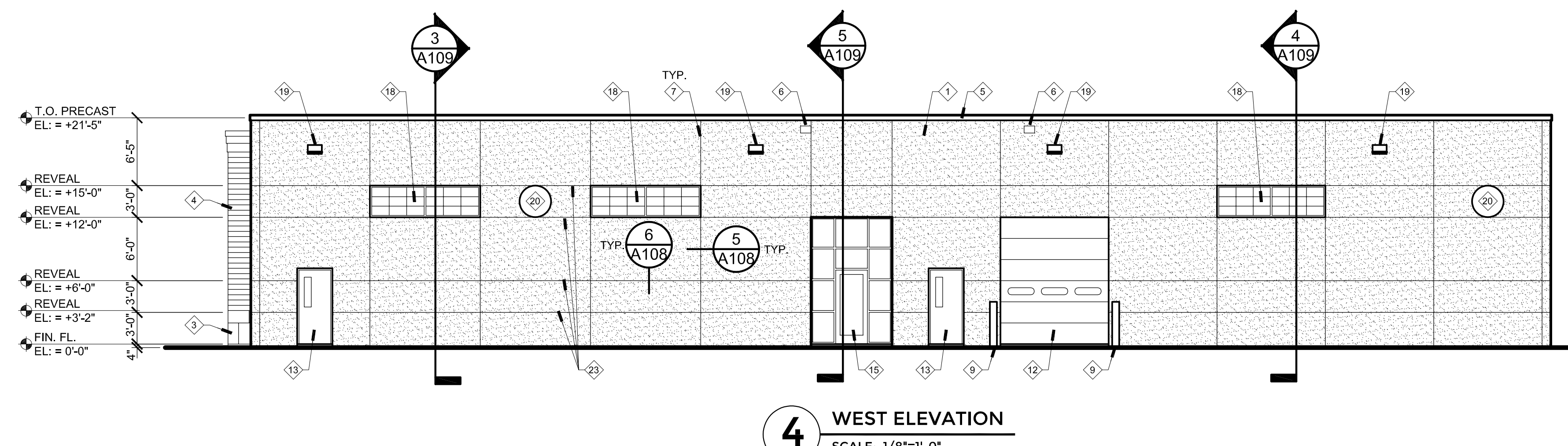
1 NORTH ELEVATION
SCALE: 1/8"=1'-0"



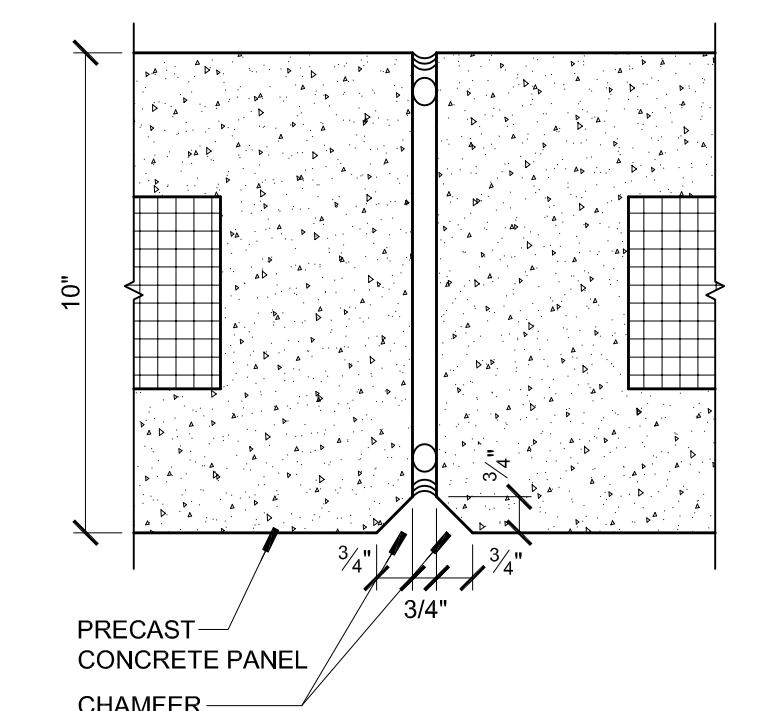
2 EAST ELEVATION
SCALE: 1/8"=1'-0"



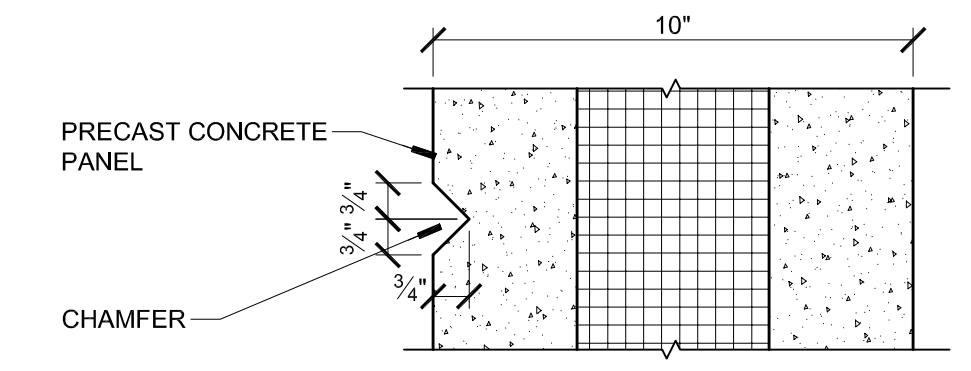
3 SOUTH ELEVATION
SCALE: 1/8"=1'-0"



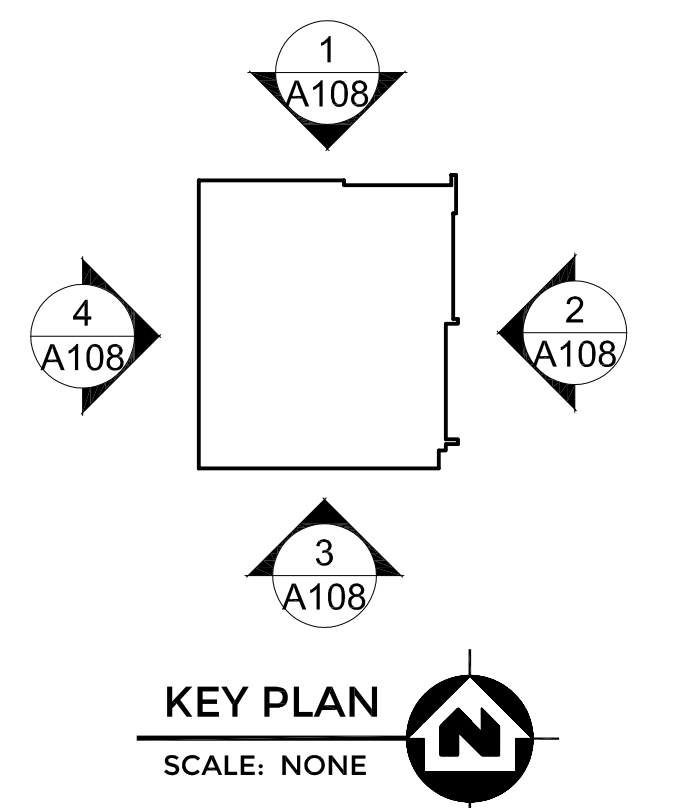
4 WEST ELEVATION
SCALE: 1/8"=1'-0"



5 PRECAST CONNECTION DETAIL
SCALE: 3"=1'-0"

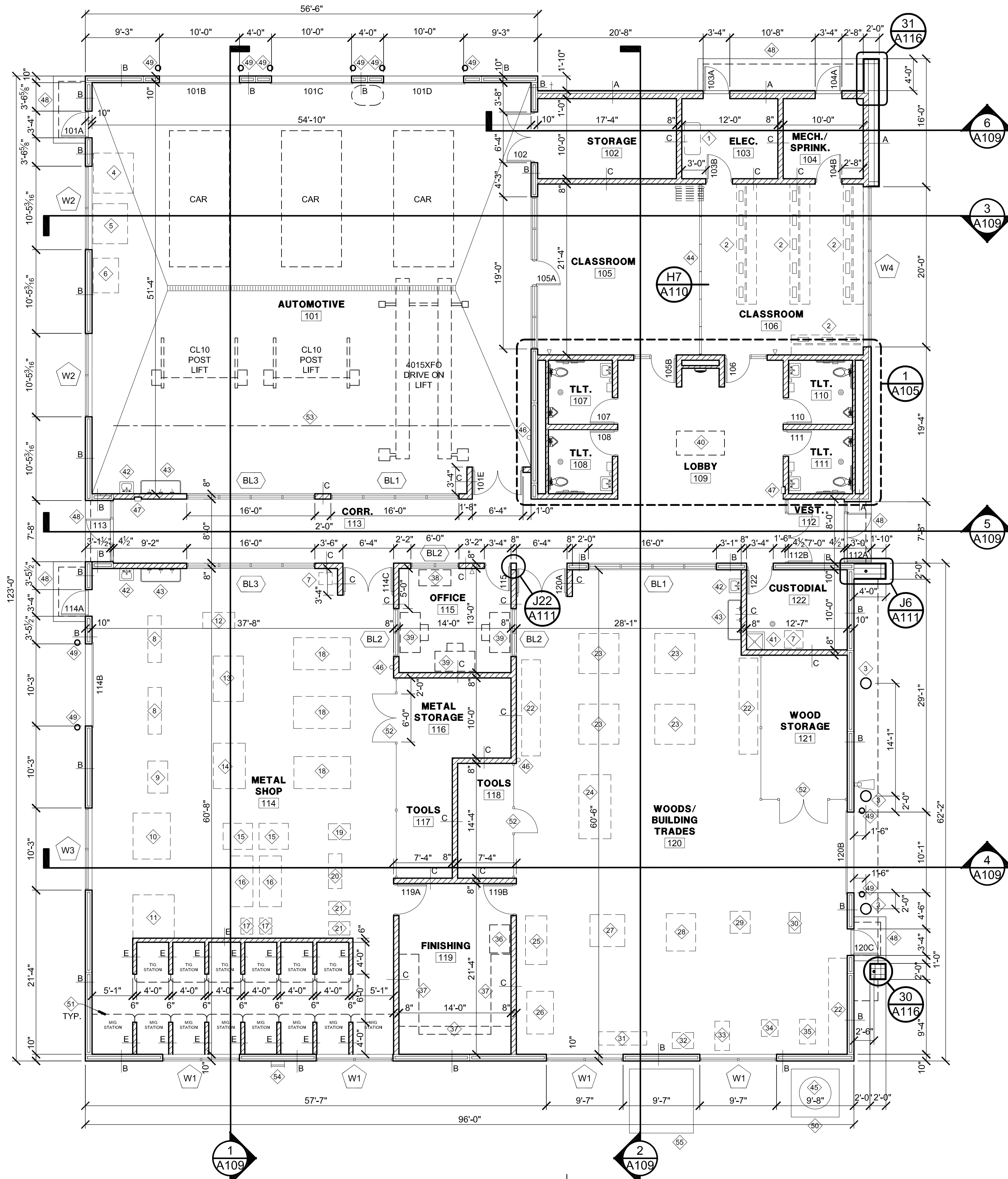


6 PRECAST REVEAL DETAIL
SCALE: 3"=1'-0"



KEY PLAN
SCALE: NONE

ELEVATION KEY NOTES			
①	10" PRECAST CONCRETE WALL PANEL.		
②	METAL PANEL WALL SYSTEM.		
③	STONE VENEER.		
④	ALUMINUM WOOD-LOOK SIDING.		
⑤	METAL COPING.		
⑥	PROVIDE OVERFLOW SCUPPER. SEE DETAIL.		
⑦	PRECAST CONCRETE WALL PANEL CAULK JOINT.		
⑧	METAL PANEL WALL SYSTEM JOINT.		
⑨	CONCRETE FILLED BOLLARD. SEE CIVIL DRAWINGS.		
⑩	ACCESS LADDER. SEE DETAIL 2/A107.		
⑪	ACCESS LADDER. SEE DETAIL 3/A107.		
⑫	OVERHEAD DOOR.		
⑬	HOLLOW METAL DOOR AND FRAME.		
⑭	16" DIAMETER COLUMN. SEE STRUCTURAL DRAWINGS.		
⑮	ALUMINUM ENTRANCE SYSTEM.		
⑯	ALUMINUM WINDOW SYSTEM.		
⑰	SIGNAGE. SEE SPECIFICATIONS.		
⑱	KALWALL WINDOW SYSTEM.		
⑲	LIGHT FIXTURE. SEE ELECTRICAL DRAWINGS.		
⑳	EXHAUST FAN. SEE MECHANICAL DRAWINGS.		
㉑	12"x12" DUST COLLECTOR DUCT PENETRATION. SEE MECHANICAL DRAWINGS.		
㉒	4"x5" ALUMINUM DOWNSPOUT WITH 45 DEGREE ELBOW AT BOTTOM OVER CONCRETE SPLASH BLOCK.		
㉓	PRECAST CONCRETE WALL PANEL REVEAL.		



1 FLOOR PLAN
SCALE: 1/8"=1'-0"

PARTITION TYPES	
A.	EXTERIOR WALL CONSTRUCTION - SEE DETAILS.
B.	10" PRECAST CONCRETE WALL PANEL.
C.	8" CMU TO STRUCTURE ABOVE.
D.	4" CMU TO 4" ABOVE CEILING.
E.	6" CMU TO 11'-4" ABOVE FINISHED FLOOR. PROVIDE BOND BEAM AT TOP COURSE.
F.	8" CMU TO 4" ABOVE CEILING.

RENOVATION GENERAL NOTES	
1.	ALL PENETRATIONS THROUGH WALLS SHALL BE SEALED TIGHT.
2.	CONTRACTOR TO PROVIDE WOOD BLOCKING AS REQUIRED IN WALLS FOR ATTACHMENT OF OTHER WORK.

RENOVATION KEY NOTES	
1	AIR COMPRESSOR. SEE ELECTRICAL DRAWINGS.
2	COMPUTER TABLES AND WORK STATIONS BY OWNER.
3	16" DIAMETER STEEL COLUMN. SEE STRUCTURAL DRAWINGS.
4	TIRE CHANGER. SEE ELECTRICAL DRAWINGS.
5	BALANCER. SEE ELECTRICAL DRAWINGS.
6	BLASTING CABINET. SEE ELECTRICAL DRAWINGS.
7	HOT WATER HEATER. SEE PLUMBING DRAWINGS.
8	BRAKE BY OWNER. SEE ELECTRICAL DRAWINGS.
9	STOMP SHEAR BY OWNER. SEE ELECTRICAL DRAWINGS.
10	TORMACH 1100M BY OWNER. SEE ELECTRICAL DRAWINGS.
11	PLASMA TABLE BY OWNER. SEE ELECTRICAL DRAWINGS.
12	HAND SHEAR BY OWNER. SEE ELECTRICAL DRAWINGS.
13	VICE TABLE BY OWNER.
14	METAL MUNCHER BY OWNER. SEE ELECTRICAL DRAWINGS.
15	GRIZZLY MILL/DRILL BY OWNER. SEE ELECTRICAL DRAWINGS.
16	GRIZZLY LATHE BY OWNER. SEE ELECTRICAL DRAWINGS.
17	BALDOR PEDESTAL GRINDER BY OWNER. SEE ELECTRICAL DRAWINGS.
18	TABLE BY OWNER.
19	GRIZZLY VERTICAL BANDSAW BY OWNER. SEE ELECTRICAL DRAWINGS.
20	WELLSAW BY OWNER. SEE ELECTRICAL DRAWINGS.
21	DRILL PRESS BY OWNER. SEE ELECTRICAL DRAWINGS.
22	MITER SAW AND TABLE BY OWNER. SEE ELECTRICAL DRAWINGS.
23	WORK TABLE BY OWNER.
24	CNC TABLE BY OWNER.
25	JOINTER BY OWNER. SEE ELECTRICAL DRAWINGS.
26	PANEL SAW BY OWNER. SEE ELECTRICAL DRAWINGS.
27	TABLE SAW BY OWNER. SEE ELECTRICAL DRAWINGS.
28	PLANER BY OWNER. SEE ELECTRICAL DRAWINGS.
29	BAND SAW BY OWNER. SEE ELECTRICAL DRAWINGS.
30	SCROLL SAW BY OWNER. SEE ELECTRICAL DRAWINGS.
31	LATHE BY OWNER. SEE ELECTRICAL DRAWINGS.
32	ROUTER TABLE BY OWNER.
33	DRUM SANDER BY OWNER. SEE ELECTRICAL DRAWINGS.
34	SPINDLE SANDER BY OWNER. SEE ELECTRICAL DRAWINGS.
35	DISK SANDER BY OWNER. SEE ELECTRICAL DRAWINGS.
36	FLAMMABLE CABINET BY OWNER.
37	COUNTERTOP AND SHELVING BY OWNER.
38	COPIER BY OWNER. SEE ELECTRICAL DRAWINGS.
39	DESK BY OWNER.
40	DISPLAY CASE BY OWNER.
41	MOP BASIN. SEE PLUMBING DRAWINGS.
42	WALL MOUNTED HAND SINK. SEE PLUMBING DRAWINGS.
43	WALL MOUNTED 3 PERSON HAND SINK. SEE PLUMBING DRAWINGS.
44	CEILING MOUNTED OPERABLE PARTITION.
45	DUST COLLECTOR. SEE ELECTRICAL AND MECHANICAL DRAWINGS.
46	WALL MOUNTED FIRE EXTINGUISHER.
47	FIRE EXTINGUISHER AND CABINET.
48	CONCRETE STOOP. SEE STRUCTURAL DRAWINGS.
49	CONCRETE FILLED BOLLARD. SEE CIVIL DRAWINGS.
50	CONCRETE PAD. SEE CIVIL DRAWINGS.
51	WELDING CURTAIN AND ROD SUPPORTED OFF ENDS OF 6" CMU.
52	8' HIGH WIRE MESH PARTITION AND ASSOCIATED DOORS.
53	POWERED HOIST AND HOIST BEAM.
54	ACCESS LADDER. SEE DETAIL 2/A107.
55	TRANSFORMER PAD. SEE ELECTRICAL DRAWINGS.