

LIGHTING PLAN
 SCALE: 1/8"=1'-0

SWITCH LEGEND

- [S] LOCAL TOGGLE SWITCH
S.P.S.T, 20A, SPEC GRADE
- [S3] 3-WAY LOCAL TOGGLE SWITCH
S.P.S.T, 20A, SPEC GRADE
- [WS] WALL MOUNTED OCCUPANCY SENSOR
HUBBELL BUILDING AUTOMATION CATALOG# LHMDT1-COLOR (OR EQUAL)
- [OS1] DUAL TECHNOLOGY CEILING MOUNTED 360° OCCUPANCY SENSOR-2000 SQ. FT
HUBBELL BUILDING AUTOMATION CATALOG# OMNIDT-2000 (OR EQUAL)
- [OS2] DUAL TECHNOLOGY CEILING MOUNTED OCCUPANCY SENSOR
HUBBELL BUILDING AUTOMATION CATALOG #OMNIDT-500 (OR EQUAL)
- [PP] POWER PACK
HUBBELL BUILDING AUTOMATION CATALOG# UV-PP (OR EQUAL)

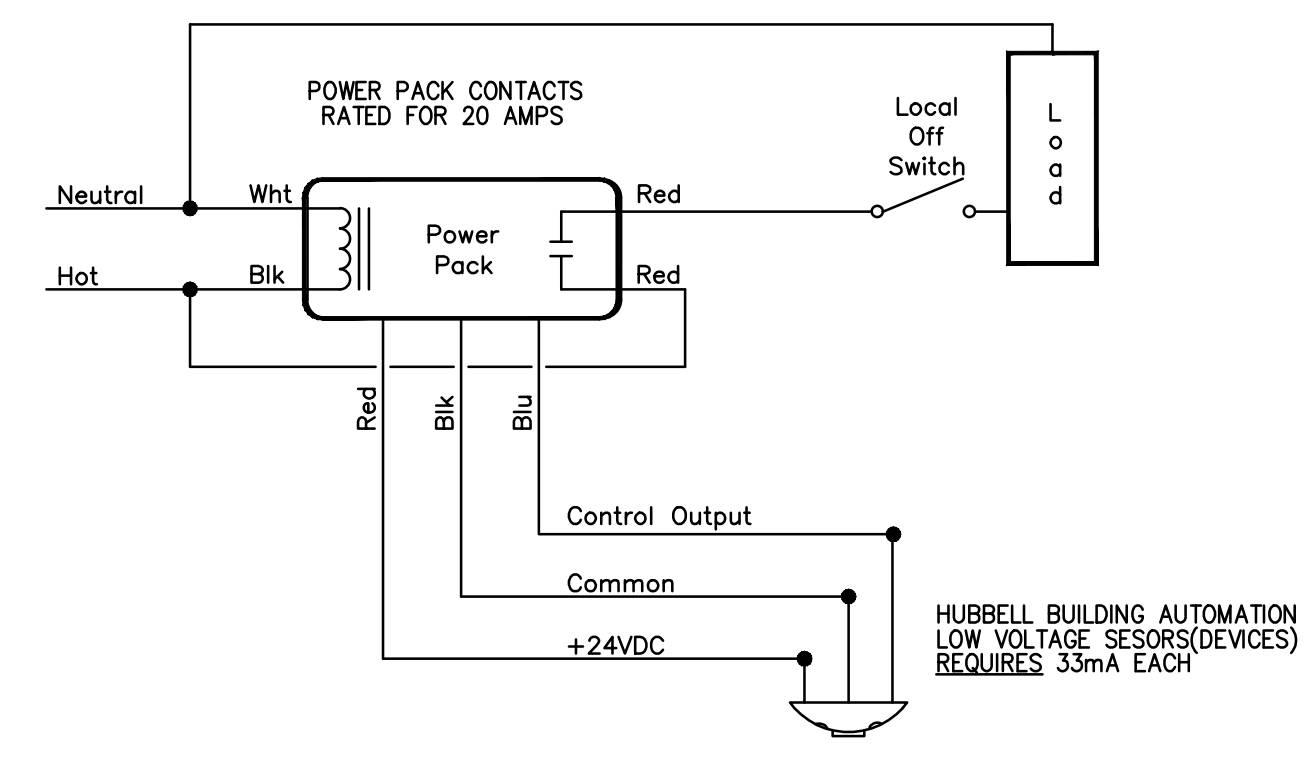
OCCUPANCY SENSOR NOTES

- ALL SENSOR LOCATIONS ARE APPROXIMATE. REFER TO MANUFACTURER'S INSTALLATION INSTRUCTIONS PRIOR TO INSTALLATION.
- ULTRASONIC CEILING MOUNTED SENSORS REQUIRE THAT THEY BE NO CLOSER THAN 6 FEET TO AIR SUPPLY/RETURN REGISTERS.
- ONE POWER PACK IS REQUIRED FOR EACH CIRCUIT CONTROLLED.

- GENERAL LIGHTING NOTES:**
- ALL LIGHT FIXTURES SHALL MEET THE SEISMIC REQUIREMENTS OF ASCE 7.
 - ELECTRICAL CONTRACTOR TO WIRE ALL EXIT SIGNAGE UN-SWITCHED TO THE LOCAL LIGHTING CIRCUIT IN THE ROOM WHERE MOUNTED.
 - LOWER-CASE LETTER ADJACENT TO LIGHT FIXTURE DENOTES SWITCH DESIGNATION FOR SWITCHING IN ROWS.
 - IN ROOMS THAT HAVE BOTH OCCUPANCY SENSOR AND SWITCH/SWITCHES, WIRE OCCUPANCY SENSOR AHEAD OF AND IN SERIES WITH SWITCH/SWITCHES.
 - COORDINATE WITH OWNER FOR PREFERRED LOCATION OF SWITCHES PRIOR TO INSTALLING.
 - ALL LAY-IN LIGHT FIXTURES (RECESSED IN CEILING) SHALL HAVE 12 GAUGE WIRE HANGERS PLACED ON TWO DIAGONAL CORNERS ATTACHED TO THE BUILDING STRUCTURE OR HURRICANE CLIPS FOR SEISMIC RESTRAINT.

KEYED LIGHTING NOTES:

- ① DELETED
- ② DELETED



TYPICAL POWER PACK WIRING DIAGRAM
 -NOT TO SCALE-

- NOTES:**
- DO NOT ATTEMPT TO POWER MORE THAN 4 DEVICES, BE IT SENSORS OR SLAVE PACKS, FROM A SINGLE POWER PACK.
 - LOW VOLTAGE WIRE TO BE 18AWG.

LIGHTING FIXTURE SCHEDULE

TYPE	DESCRIPTION	LAMP	BASIS OF DESIGN MANUFACTURER	ALTERNATE 1	ALTERNATE 2	VOLTAGE	WATTAGE	MOUNTING
A	8" LED LINEAR RECESSED FIXTURE	LED	LITE CONTROL LIGHTING CATALOG # 4L-R-D-DW-D-8-SOF-C1-35K-D075-NDM-1C-120	PRUDENTIAL LIGHTING CATALOG # B10-STD-FLSH-LED35-SO-8-TMW-SAL-D1-SC-UNV-X3-ND	NULITE LIGHTING CATALOG # RF4-D6-L35-UNV-D-1C-FR/F-WH-8	120	10W/FT	RECESSED MOUNTED
B	4" LED INDUSTRIAL STRIP FIXTURE	LED	COLUMBIA LIGHTING CATALOG # LCL4-35HL-EU	LITHONIA LIGHTING CATALOG # ZLIN-L48-SMR-5000LM-FST-120-35K80CRI-WH	H.E. WILLIAMS LIGHTING CATALOG # 75R-4-L50/835-DRV-120	120	55	SURFACE MOUNTED
C	2x4" LED TROFFER WITH FLANGE KIT	LED	COLUMBIA LIGHTING CATALOG # LCAT24-35HLG-EU-FK24	LITHONIA LIGHTING CATALOG # 2BLT4-60L-ADP-EZ1-LP835-DGA24	ELITE LIGHTING CATALOG # 24-ODWH-LED-5000L-DIM10-MOOLT-35K-85-24KF	120	44	RECESSED MOUNTED
D	2'x2' LED TROFFER WITH FLANGE KIT	LED	COLUMBIA LIGHTING CATALOG # LCAT22-35HLG-EU-FK22	LITHONIA LIGHTING CATALOG # 2BLT2-40L-ADP-EZ1-LP835-DGA22	ELITE LIGHTING CATALOG # 22-ODWH-LED-4000L-DIM10-MVOLT-35K-85-22FK	120	32	RECESSED MOUNTED
EM	DUAL HEAD EMERGENCY LIGHT WITH BATTERY BACKUP	LED	LIGHT ALARMS LIGHTING CATALOG # LCA-2LED	COMPASS LIGHTING CATALOG # CU2	EMERGI-LITE LIGHTING CATALOG # EL-2LED	120	3	WALL MOUNTED
ER	2-LAMP WEATHERPROOF REMOTE HEAD POWERED BY EXIT SIGN "EX1" BELOW	LED	LIGHT ALARMS LIGHTING CATALOG # ELF652D/LED-WP	COMPASS LIGHTING CATALOG # CORD	EMERGI-LITE LIGHTING CATALOG # EF440-LEDWP	6	3	WALL MOUNTED
EX1	THERMOPLASTIC LED EXIT SIGN WITH HEADS, BATTERY BACKUP, AND REMOTE HEAD POWER CAPACITY	LED	LIGHT ALARMS LIGHTING CATALOG # LULXN500R-2LEDR	COMPASS LIGHTING CATALOG # CCRRC	EMERGI-LITE LIGHTING CATALOG # ELXN400R-2LEDR	120	12	CEILING MOUNTED
EX2	THERMOPLASTIC LED EXIT SIGN WITH HEADS AND NICKEL CADMIUM BATTERY BACKUP	LED	LIGHT ALARMS LIGHTING CATALOG # LULXN500R-2LED	COMPASS LIGHTING CATALOG # CCR	EMERGI-LITE LIGHTING CATALOG # ELXN400R-2LED	120	12	CEILING MOUNTED
F	8" LED INDUSTRIAL STRIP FIXTURE	LED	COLUMBIA LIGHTING CATALOG # LCL8-35ML-EU	LITHONIA LIGHTING CATALOG # TZL1N-L96-SMR-10000LM-FST-MVOLT-35K-80CRI-WH	H.E. WILLIAMS LIGHTING CATALOG # 75R-8-L100/835-DRV-120	120	84	SURFACE MOUNTED
WP	LED WALL PACK WITH PHOTOCCELL INTEGRAL TO FIXTURE	LED	CREE LIGHTING CATALOG # XSPW-A-0-2-F-G-1-FINISH-P	HUBBEL OUTDOOR LIGHTING CATALOG # LNC2-12LU-4K-3-FINISH-FC	ILP LIGHTING CATALOG # WSPF-30WLED-UNIV-4000K-PC120	120	25	WALL MOUNTED

- LIGHTING FIXTURE SCHEDULE NOTES:**
- VERIFY VOLTAGE REQUIREMENTS WITH RESPECT TO FLOOR PLAN CIRCUITING AND PANEL SCHEDULES.
 - VERIFY MOUNTING HEIGHTS ON ALL WALL AND SURFACE MOUNTED FIXTURES WITH ARCHITECT PRIOR TO ROUGH-IN.
 - VERIFY ALL LUMINAIRE COLOR SELECTIONS WITH ARCHITECT PRIOR TO PURCHASING AND INSTALLING.
 - BATTERY PACKS FOR ALL EXIT AND EMERGENCY LIGHT FIXTURES SHALL BE CAPABLE OF PROVIDING EMERGENCY POWER TO THE FIXTURES FOR A MINIMUM OF 90 MINUTES.