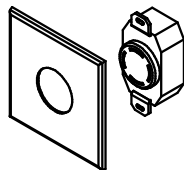
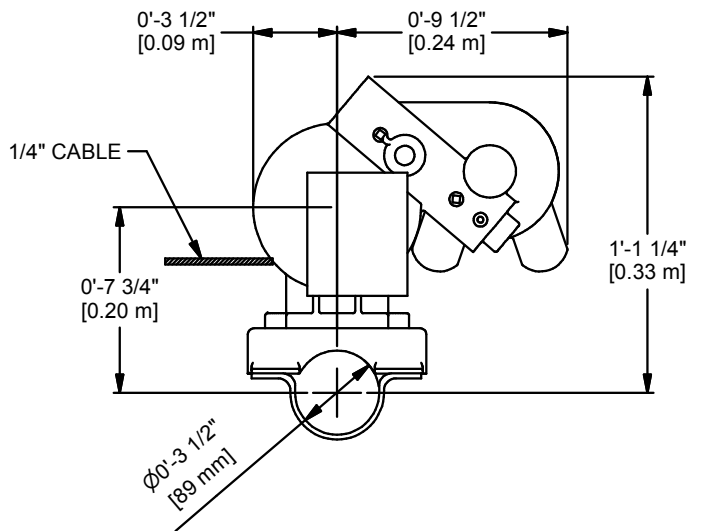
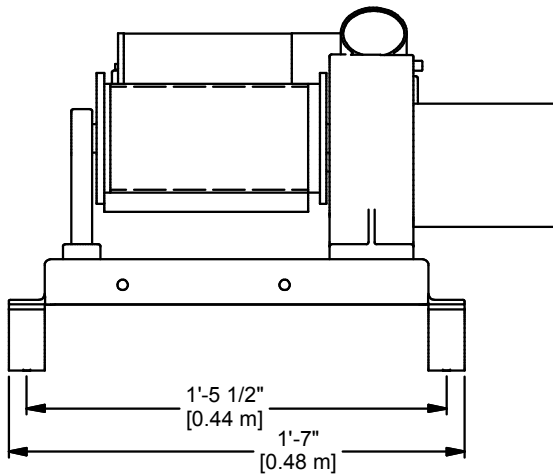
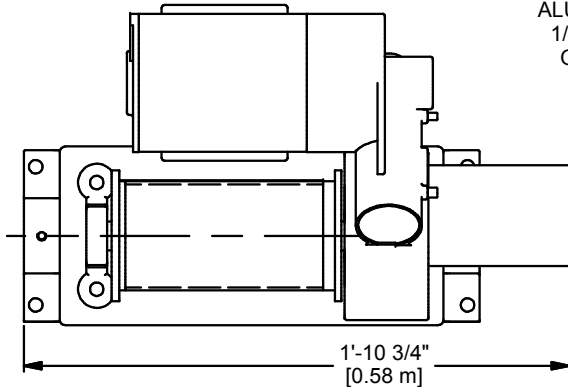
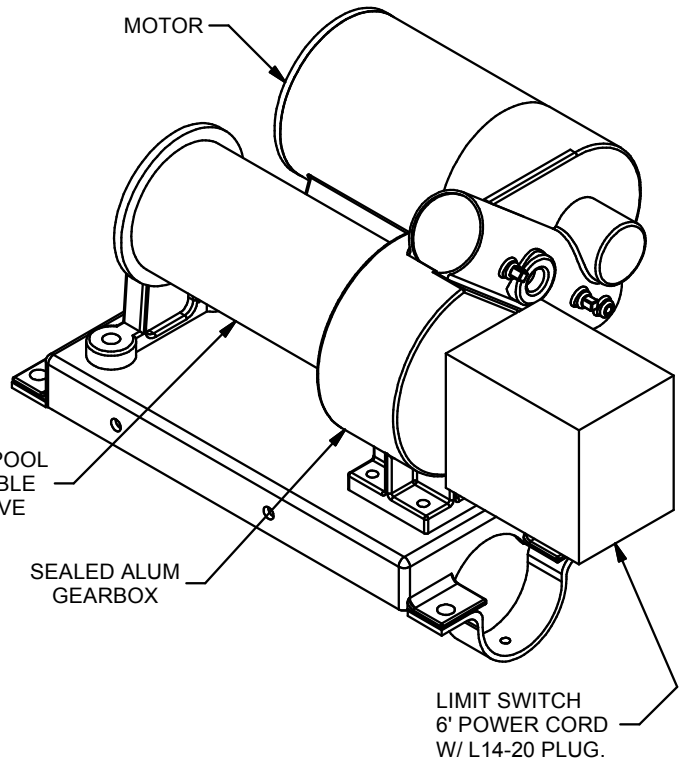


KEY SWITCH AND COVER INCLUDED  
2X4X 2 1/2 BOX NOT INCLUDED



L14-20 RECP. AND COVER INCLUDED  
4X4 BOX NOT INCLUDED



MOTOR DATA:  
3/4HP, 1PH, 110/115/120VAC 60HZ  
INSTANT REVERSING,  
THERMALLY PROTECTED

**CAUTION:**

KEY SWITCH MUST BE LOCATED IN AN AREA THAT ALLOWS THE BACKSTOP TO BE VISIBLE TO THE OPERATOR, BUT SHOULD NOT BE DIRECTLY UNDER THE BACKSTOP.

E	WDC	03-19-15
G	WDC	10-08-14
REV	BY	DATE



Gared Holdings, LLC  
9200 E. 146th St. Noblesville, IN 46060

THIS DOCUMENT CONTAINS TRADE SECRET AND OTHER MATERIALS WHICH ARE PROTECTED BY CONFIDENTIALITY NOTICE AND AGREEMENT AND BY COPYRIGHT. ANY USE OR COPYING OF THIS DOCUMENT EXCEPT AS AUTHORIZED BY GARED HOLDINGS, LLC IS STRICTLY PROHIBITED.

**ELECTRIC HOIST 115V, 1PH, 60HZ**

DRAWN	CROSBY	DATE	10/8/2014	DATE ISSUED
APPROVED		DATE		

FILE LOC. Q:\Inventor Files\Specification Files\

SIZE	SCALE	SHT. NO.	PART NO.	REV
A		1 OF 3	1194 R000	E



### MODEL 1194

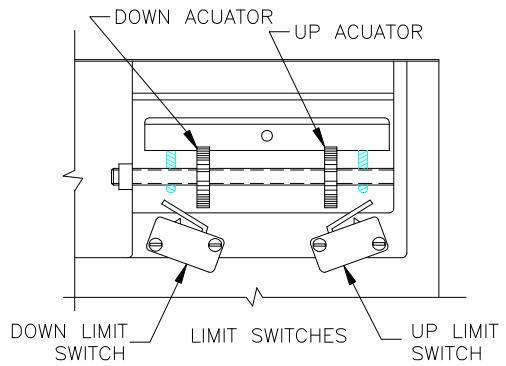
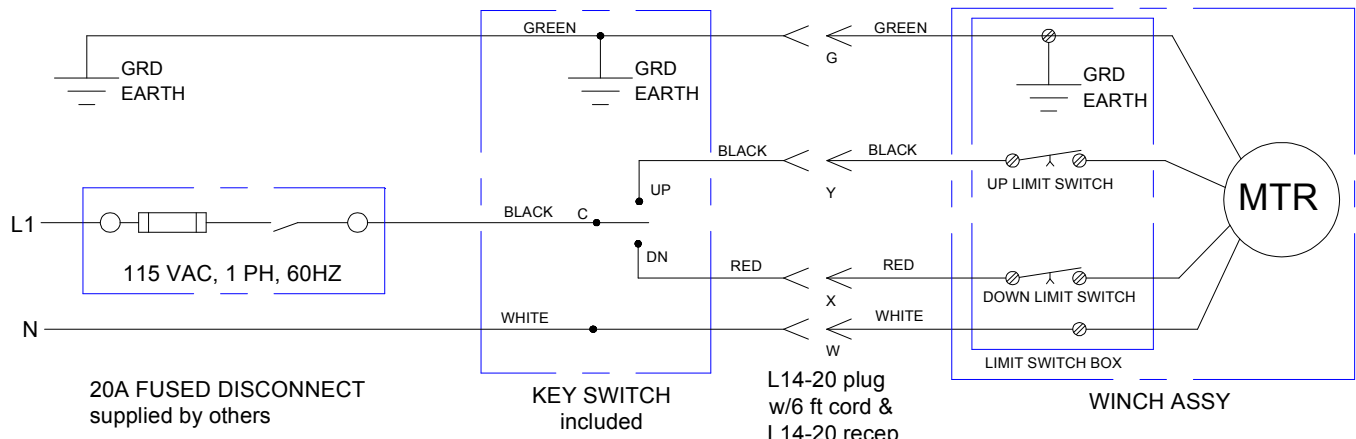
#### **ELECTRIC BACKSTOP HOIST**

Load Rating	Designed for a 1250 lbs continuous lift for 15 minutes.
Load Type	Vertical Lifting, pulling on a slope, or pulling horizontally.
Rope Type	Accepts 1/4" Diameter 7 x 19 galvanized aircraft cable (7000 lb breaking strength). Not supplied with hoist.
Rope Travel	30' on one layer. Additional 25' on second layer for 55' total.
Rope Speed	9.5 FPM
Electrical	110/115/120 VAC, 1 phase, 60 hertz. UL Listed. Other voltages and frequencies available on special order at additional cost.
Motor	Minimum 3/4 HP, 9.5 A (Full load amperage). Instant reversing, low maximum current draw design. Including 6' power cord and 4 prong twist lock plug rated for 20 Amp service. Plug certified to full amperage disconnect capability.
Gearbox	200:1 worm gearbox with positive locking to hold under load. Hardened metal gears in a sealed aluminum housing.
Duty Cycle	Standard: 15 Minutes ON, 20 Minutes OFF.
Rope Drum	4.5" diameter grooved drum for accurate winding and long cable life. Supported on large diameter ball bearings and with positive, through the drum rope anchoring.
Pressure Roller	Constant pressure type with torsion spring mounting for even pressure on rope during winding to keep the cable tracking correctly even when cable slacks.
Limit Switches	Heavy duty upper and lower limit switches, gear driven for high accuracy. Maximum travel is 55'.
Frame Construction	Mounted to heavy duty steel frame with attaching hardware for 3.5" diameter tubing. Powder coated for corrosion resistance.
Weight	68 lbs.

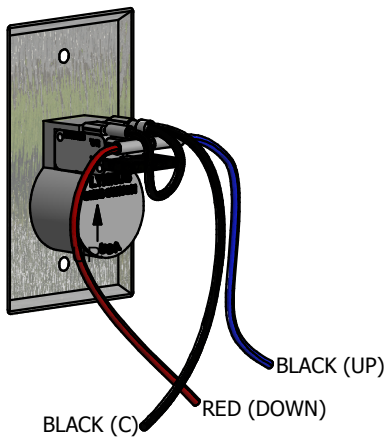
#### **WARNING:**

Not to be used for lifting people  
Not recommended for lifting objects over people without either a safety locking device or an automatic fall arrester system installed.

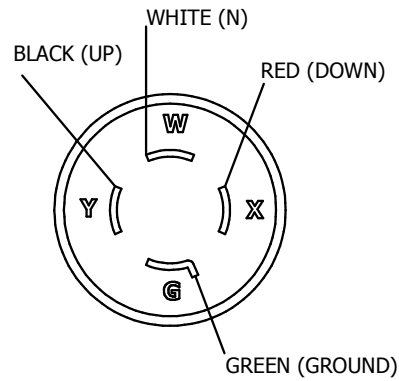
Subject to design change and current manufacturing practices.  
Revised Oct. 8, 2014 ©2008 Gared Holdings, LLC



WIRING SUPPLIED BY OTHERS



KEY SWITCH



L14-20 RECEPTACLE

**ELECTRICAL REQUIREMENTS**

**MINIMUM CIRCUIT REQUIREMENTS**  
-DEDICATED 115VAC, 1PH, 60HZ,  
20 AMP SERVICE

**MOTOR SPECIFICATION**  
-3/4HP 115V, 1PH, 60HZ, 9.5 FLA  
INSTANT REVERSING, THERMAL O/L

**MINIMUM WIRE SIZE**  
(copper wire, 3% max voltage drop)  
0-90 ft..... 12 ga.  
90-140 ft..... 10 ga.  
140-240 ft..... 8 ga.  
240-380 ft..... 6 ga.

E	WDC	03-19-15
G	WDC	10-08-14
REV	BY	DATE

**PSS**  
PERFORMANCE  
SPORTS SYSTEMS

**GARED**

Gared Holdings, LLC  
9200 E. 146th St. Noblesville, IN 46060

THIS DOCUMENT CONTAINS TRADE SECRET AND OTHER MATERIALS WHICH ARE PROTECTED BY CONFIDENTIALITY NOTICE AND AGREEMENT AND BY COPYRIGHT. ANY USE OR COPYING OF THIS DOCUMENT EXCEPT AS AUTHORIZED BY GARED HOLDINGS, LLC IS STRICTLY PROHIBITED.

**WIRING SCHEMATICS, 115V, 1PH, 60HZ**

DRAWN	CROSBY	DATE	10/8/2014	DATE ISSUED
APPROVED		DATE		
FILE LOC. Q:\Inventor Files\Specification Files\				
SIZE	SCALE	SHT. NO.	PART NO.	REV
A		3 OF 3	1194 R000	E