

Matt Nelson
Superintendent

Sanford School Department

917 Main Street, Suite 200, Sanford, Maine 04073
Tel: 207-324-2810 Fax: 207-324-5742
www.sanford.org

Bethany Lambert
Curriculum Director

Steve Bussiere
Assistant Superintendent

Stacey Bissell
Special Education Director

SCHOOL COMMITTEE:

Don Jamison, Chair Paula Cote, Vice-Chair
Jonathan Mapes John Roux Amy Sevigny

MEMO

Date: May 7, 2021

To: School Committee

From: Cheryl Fournier, Business Administrator

Re: RFQ for SPE Furniture

The following is a breakdown of the bids received for the SPE Furniture. I have included a copy of the bids received.

As we dug into looking at the details regarding the furniture bid, the cubbies were very different between the two bids. The Administrative Staff from Pride Elementary like the single cubby setup vs the double cubby setup. WB Mason did not have the single cubby option with their vendor. After a lot of thought and with Covid on our minds, the single cubby option feels like the right choice for Pride Elementary. Being able to have the children spaced out makes our schools safer.

We recommend awarding the desks and chairs to WB Mason, and the cubbies and shelves to Warren's. The increase costs will be covid related, and will be paid out of the ESSER II funds. See the attached breakout #1-#3.

Our recommendation is the break the bids between WB Mason and Warren's.

	Warren's	W B Mason #1	W B Mason #2
400 Triangle Desks	Top size 28" x 28" ¾" solid plastic 12 gauge frame 1" 16 gauge steel legs Includes wire book box	Top size 27.5" x 27.5" ¾" solid plastic 12 gauge frame 1" 16 gauge steel legs Available option wire book rack – not included \$6,800 to	Top size 27.5" x 27.5" ¾" solid plastic 12 gauge frame 1" 16 gauge steel legs Available option wire book rack – not included \$6,800 to

		add them	add them
52 four leg 12" Chairs	14 gauge 1.13" tubular steel welded to 12 gauge bracket	18 gauge 1.13" tubular steel welded to 14 gauge bracket	14 gauge 1.13" tubular steel welded to 14 gauge bracket
300 four leg 14" Chairs	Same as above	Same as above	Same as above
52 four leg 16" Chairs	Same as above	Same as above	Same as above
400 Birch Backpack Cubbies	1 Section Coat locker	Two cubbies instead of one cubbie	Two cubbies instead of one cubbie
	11 Ply (15MM) Baltic Birch Plywood	15MM Baltic Birch Plywood	15MM Baltic Birch Plywood
	KydzStrong Construction	Intended for ages between 30 months and 72 months and weighs up to 100 lbs	Intended for ages between 30 months and 72 months and weighs up to 100 lbs
	KydzSafe Edges		
		Ships via ground typically within 28 days	Ships via ground typically within 28 days
30 Birch Adjustable Shelves		Dimensions are slightly different – width 3" larger	Dimensions are slightly different – width 3" larger
	KydzStrong Construction	Ships via truck typically in 28 days	Ships via truck typically in 28 days
	KydzSafe Edges	Intended for ages 30 months and 144 months and weighing up to 100 lbs	Intended for ages 30 months and 144 months and weighing up to 100 lbs
	Every 1 ¼" adjustable shelves		
	11 Ply (15MM) Baltic Birch Plywood	Adjustable shelves	Adjustable shelves
		15MM Birch Plywood	15MM Birch Plywood

Warrantee	Limited Lifetime Warranty	Limited Lifetime Warranty	Limited Lifetime Warranty
		Seating, controls, glides, pneumatic cylinders, casters - 3 years	Seating, controls, glides, pneumatic cylinders, casters - 3 years
Unpacked, remove cardboard, and assembled	Unpacked, remove cardboard, and assembled	Includes assembly, put in place, and removal of waste	Includes assembly, put in place, and removal of waste
Maximum Timing	4-5 weeks from date of order	6 weeks	6 weeks
Cost if a delay	As long as noted 2 weeks prior to delivery date, there is no charge Warren's does not have warehouse space to hold items, so there would be a cost	No cost in an event of a construction delay	No cost in an event of a construction delay
Cost if staggered delivery of order	Yes, shipping costs would be for each delivery	No cost noted	No cost noted
Total Cost	\$202,000.00	\$139,008.66	\$142,135.58

Hon

Desks \$59,274.45

Chair12 \$ 3,748.62

Chair14 \$19,977.92

Chair16 \$3,919.25

\$ 86,920.24

Breakout Attachment J.5.

Jonti Craft

Lockers \$98,170.00

Shelves \$16,909.76

\$ 115,079.76

Thank you!

We're your office supply super hero!

Sincerely,

Jennifer Roberts

Marketing Director

Warren's Office Supplies

Jen@WarrensOfficeSupplies.com

www.WarrensOfficeSupplies.com

207-324-7103

Desks & Chairs **Install Cost is Estimate and not final number

Breakout 2
Attachment J.5.

Qty	Alias 2	Sell	Ext Sell
400	Desks	\$ 99.23	\$ 39,692.00
52	Chair	\$ 38.06	\$ 1,979.12
300	Chair	\$ 38.06	\$ 11,418.00
52	Chair	\$ 39.41	\$ 2,049.32
1	Freight	\$ 2,273.68	\$ 2,273.68
1	Install	\$ 15,000.00	\$ 15,000.00
			\$ 72,412.12

Zack Crouanas | Sales Manager

W.B. Mason Company

106 Pine Tree Industrial Parkway

Portland, ME 04102

(p) 888-926-2766 (f) 877-329-9669

(c) 207-712-0703

Cubby's & Shelves **Install Cost is Estimate and not final number

Breakout 3
Attachment J.5.

Qty	Alias 2	Sell	Ext Sell
400	Cubby	\$ 125.81	\$ 50,324.00
30	Shelf	\$ 229.21	\$ 6,876.30
			\$ 57,200.30
1	Freight	\$ 2,523.16	\$ 2,523.16
			\$ 2,523.16
1	Install	\$ 12,000.00	\$ 12,000.00
			\$ 12,000.00
			\$ 71,723.46

Zack Crouanas | Sales Manager

W.B. Mason Company

106 Pine Tree Industrial Parkway

Portland, ME 04102

(p) 888-926-2766 (f) 877-329-9669

(c) 207-712-0703

Sanford School Department

917 Main Street, Suite 200, Sanford, Maine 04073
Tel: 207-324-2810 Fax: 207-324-5742
www.sanford.org

RFQ Proposal Form for Quotations

RFQ Project: SPE Furniture – Desks, Chairs, Cabinets, and Shelves

To: Cheryl Fournier, Business Administrator
Sanford School Department
917 Main Street, Suite 200
Sanford, Maine 04073

1. In compliance with the RFQ Invitation, Notification, Contact Information, Instructions/Conditions and Product/Services Specifications dated 04-02-21, the undersigned proposes and agrees as follows:

To furnish the goods or services outlined in the attached Product/Services Specifications for the sum of \$ 202,000.00.

2. It is understood that this quoted price may not be withdrawn for a period of thirty (30) days from the date proposals are opened.

3. It is understood that all persons interested in the bid set forth herein as principals are named herein and no other person who is not mentioned herein has any interest in this proposal or the contract to be entered into. This proposal must be made without connection to any other person, company or party entering a bid and it is in all respects fair and in good faith, without collusion or fraud.

4. By signing this page, it is understood that the person, company or party represented has examined all of the RFQ documents regarding this quote and is duly informed regarding all terms and conditions included.

5. The names and addresses of all persons interested in this bid as principals are as follows:

<u>Warren Roberts</u>	<u>Melissa Bors</u>
<u>344 Hooper Rd</u>	<u>9 meadow view Dr.</u>
<u>Shapleigh ME 04076</u>	<u>Atfred, ME 04002</u>

6. The undersigned has been in business as Warren's for 40 years, during which time there have been no complaints regarding failure to complete work or default on an awarded contract.

7. Signature information:

Dated this 23rd day of April, 2021

By: Warren Roberts, President
 (Signature and title)
WGB, INC, dba Warren's office
 (Name of entity) Supplies

Warren Roberts, President
 (Printed name and title)
329 Jagger Mill Rd, Sanford ME 04073
 (Address of entity)
324-7103 warren@warrensdhicesupplies.com
 (Phone and email contact information)

Sanford School Department

917 Main Street, Suite 200, Sanford, Maine 04073
Tel: 207-324-2810 Fax: 207-324-5742
www.sanford.org

RFQ Product or Service Specifications

RFQ Project: SPE Furniture - Desks, Chairs, Cabinets, and Shelves

Sanford School Department will supply specifications as follows:

<u>Product Specifications:</u>	
Product name	
Product size	See below
Quantity required	
Special requirements	
Delivery locations	

400 Triangle Desks with adjustable heights between 23 inches and 33 inches

(similar quality and look to HON Smartlink desks and chairs at our other schools)



52 four leg student chairs 12 inches

300 four leg student chairs 14 inches

52 four leg student chairs 16 inches



300 birch Backpack Cubby Cabinet 12" W x 15" D x 51" H

30 birch 42" x 48" x 15" Adjustable Shelf

Limited Lifetime Warrantee

Unpacked, remove cardboard, and assembled

The construction is expected to be finished end of June, please note the expected timeline of furniture deliver after order being placed. If the construction has a delay is there warehouse space or what is the timeline to change a delivery date? Is there additional costs if there is a delay to the delivery date? *see attached*

Would there be additional cost for staggering the delivery date of the order (1/3 of the order at a time)? *see attached*

To be delivered to Sanford Pride Elementary, 708 Main St, Sanford, ME 04073.

Warren's Office Supplies

The construction is expected to be finished end of June, please note the expected timeline of furniture delivery after order being placed. If the construction has a delay is there warehouse space or what is the timeline to change a delivery date? Is there additional costs if there is a delay to the delivery date?

--The expected timeline for delivery is 4-5 weeks from date of order. However, we can request a delivery date that is further than the 4-5 weeks. The timeline to change the delivery date, would be at least 2 weeks prior to the delivery date. Both vendors have indicated that would be at no additional charge as long as we are complying with the minimum 2 week notice rule. This is allowed once at no charge.

-- Warren's has no excess warehouse capacity at present. Storage would be additional. We have looked at Patco for rental, and looked at tractor trailer storage on your site. There would be an additional charge for storage, as well as an additional charge for extra handling.

Would there be an additional cost for staggering the delivery date of the order (1/3 of the order at a time)?

--Yes. The quotes would not be the same from the vendor, the freight quotes would change drastically.

Sanford School Department

917 Main Street, Suite 200, Sanford, Maine 04073
Tel: 207-324-2810 Fax: 207-324-5742
www.sanford.org

Vendor must note any exceptions to specifications and include said exceptions with the complete "Proposal Form for Quotations". Exceptions must be spelled out in detail and numbered. Failure of the vendor to note any exceptions to any portion of the specifications for this RFQ may result in the rejection of the proposal.

Sanford High School

Attachment J.5.

Matthew W. Petermann
Principal



Aaron R. Tremblay
Assistant Principal

Gordon A. Salls
Athletic Director

Troy J. Watts
Assistant Principal

24 April 2021

Letter of Recommendation for Warren's Office Supply

To Whom It May Concern,

I am honored to be writing a letter of recommendation for Warren's Office Supply in Sanford Maine! We started working with Warren's frequently prior to our move to the new high school and couldn't be happier with their product selection, pricing, and service. While I have worked exclusively with Jen in the sales department, every member of their staff has always been friendly, helpful, and professional.

As we began purchasing everything from furniture to fixtures for the new building, Warren's provided us with catalogs, options, and pricing for whatever we were looking for. The items we ordered from them always came with a delivery date and at the price we were quoted. When items came without instructions, Warren's was always willing to come over and lend a hand with assembly and they found us instructions whenever we needed them. As Covid closed us down, we would have never reopened successfully without the help of Jen and Warren's. Jen found us quotes for PPE, sanitizing supplies, and Plexiglas that fit our budget. She also was able to work with suppliers to get us the necessary supplies so we could open school on time in September of 2020. That being said, we still count of Warren's for our day-to-day office supplies.

No matter what, we count on Warren's all the time! I always call Jen first and she will tell me whether or not she can get us what we need when we need it. They will not let you down and they are always friendly regardless of whether you order from them or not. If you need any more information, please do not hesitate to reach out to me! Mpetermann@sanford.org or 207.206.1706

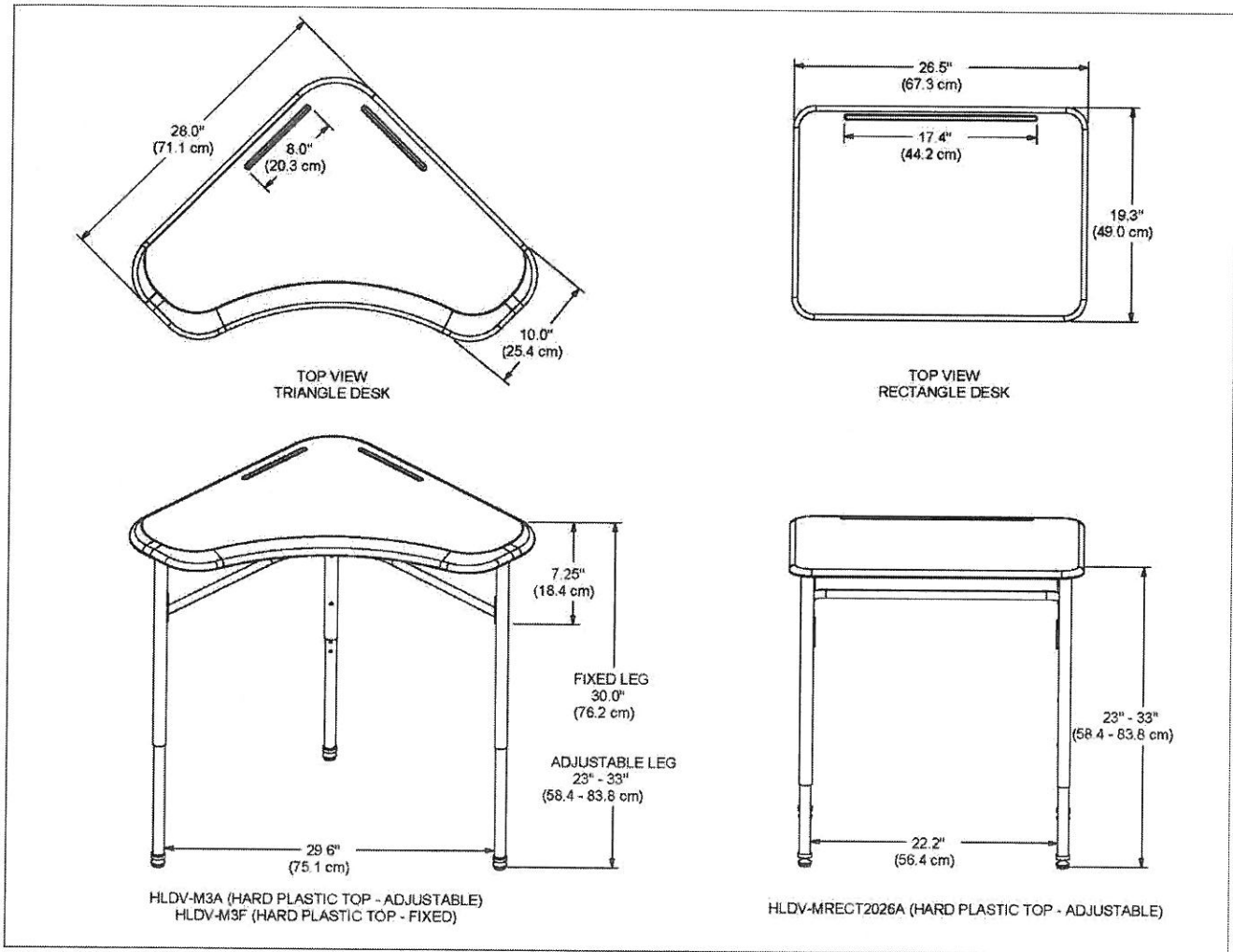
Sincerely,

A handwritten signature in blue ink, appearing to read 'Matthew Petermann'.

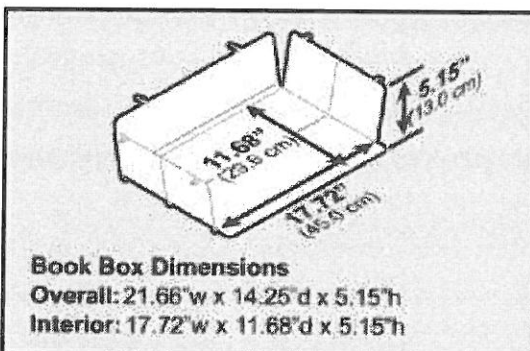
Matthew Petermann
Principal

HON.

SmartLink™ Value Series Student Desk Technical Specifications

**QUICK REFERENCE TABLE**

Models:	HLDV-M3F (Fixed)	HLDV-M3A (Adjustable)	HLDV-MRECT2026A (Adjustable)	HLDA-15 (Book Box)
Description				
Carton Dimensions (Assembled)	41.25"w x 29.13"d x 31"h	41.25"w x 29.13"d x 23"h	14.57"w x 15.75"d x 22"h	14.57"w x 15.75"d x 22"h
Individual Unit Weight	28 lbs	27 lbs	26 lbs	3.5 lbs
Shipping Weight	63 lbs	59 lbs	57 lbs	16.2 lbs
Cubes	17.8	12.6	10.9	2.9
Quantity per Carton	2	2	2	4

**QUICK REFERENCE TABLE**

Item	Inside Dimension	Load Capacity	Storage Capacity
HLDA-15 (book box)	17.7" w x 11.7" d x 5.15" h	30 lbs.	1,065 in ³
HCLA65 (backpack hook)	N/A	20 lbs.	N/A



SmartLink™ Value Series Student Desk Technical Specifications

Hard Plastic Work Surface - Triangle: The top is constructed of 0.75" thick molded hard plastic, comprised of 75% wood flour which is specially formulated from 100% post industrial recycled wood waste. Edges are 0.5" radius. The top is pre-drilled for book box installation and left- or right-hand installation of backpack hooks. The top includes molded in left- and right-hand 8" long x 0.54" wide x 0.125" deep pencil grooves. Load limit on the work surface is tested to 300 lbs.

Hard Plastic Work Surface - Rectangle: The top is constructed of 0.625" thick molded hard plastic, comprised of 75% wood flour which is specially formulated from 100% post industrial recycled wood waste. Edges are 0.5" radius. The top is pre-drilled for book box installation and left- or right-hand installation of backpack hooks. The top includes a molded in 17.4" long x 0.54" wide x 0.125" deep pencil groove. Load limit on the work surface is tested to 300 lbs.

Adjustable Leg Assembly: Leg assembly is comprised of an upper leg, lower leg, and cross-brace. The upper leg is a 19.5" long, 1.13" diameter, 18-gauge steel tube and finished with powder coat paint. The lower leg is a 1" diameter, 16-gauge steel tube with chrome finish. Lower leg includes a 1" diameter press-fit steel swivel glide with nylon insert. The cross-brace is a 0.75" diameter 14-gauge steel tubing with integrated 12-gauge saddle brackets. Cross-brace is attached to the legs using 0.25"-20 screws with a T-25 drive head.

The lower legs adjust in increments of 1" which provide overall height adjustment of 23" to 33". Lower leg includes six (6) 0.25" - 20 threaded holes. A 0.25" - 20 screw with a T-25 drive head secures the upper and lower legs together. Each leg assembly is welded to a 3.5" x 3.5" x 4.5" triangular 12-gauge metal top bracket. The bracket is secured to the worksurface with five (5) #10-16 x 0.50" HI-LO screws with a phillips drive head.

Fixed: Leg assembly is comprised of a single piece leg, cross-brace and mounting bracket. The leg is a 29" long, 1.25" diameter, 11-gauge steel tube and finished with powder coat paint. Leg includes a 1.25" diameter press-fit steel swivel glide with nylon insert. The cross-brace is 0.75" diameter, 14-gauge steel tubing with integrated 12-gauge saddle brackets. Cross-brace is attached to the legs using 0.25" - 20 screws with a T-25 drive head.

The legs are designed for an overall desk fixed height of 30". Each leg is welded to a 3.5" x 3.5" x 4.5" triangular 12-gauge metal top bracket. The bracket is secured to the worksurface with five (5) #10 - 0.75" wood screws with a phillips drive head.

Wire Book Box: Utilizes 11-gauge wire frame with 13-gauge perforated steel. Book box mounts using six (6) #10 x 0.50" large washer wood screws with square drive.

Compliance: The Student Desk meets or exceeds applicable ANSI/BIFMA and ISTA performance standards. Student Desks are SCS certified Indoor Advantage Gold conforming to the ANSI/BIFMA furniture emissions standard for open plan and conforms to the Collaborative for High Performance Schools (CHPS) EQ 2.2 and CA Section 01350.

Shipping: Adjustable leg desks ship with the upper leg and cross-brace assembly attached to the desk top. The lower adjustable leg ships unattached for field installation.

Fixed leg desks ship fully assembled.

All desks ship two (2) per carton.

The HON Company
200 Oak Street
Muscatine, IA 52761
800-833-3964
hon.com

© 2019 The HON Company
HON is a registered trademark
of HNI Technologies, under
license to The HON Company.



Smartlink™ Seating Technical Specifications

Models:

HSS4L-06A	HSS4L-24B	HSSTK-18B
HSS4L-12A	HSS4L-30B	HSSST-18B
HSS4L-14A	HSSCL-14A	HSSA-WB1618
HSS4L-16B	HSSCL-16B	
HSS4L-18B	HSSCL-18B	

Features:

- Base options include four-leg, cantilever, task, & stool.
- 4-leg models available with nylon (.E) or nickel-plated (.N) steel swivel glides.
- 16" and 18" 4-leg models available with optional multi-surface casters (.C).
- Cantilever model available with all purpose (.E) or felt (.F) glide.
- High impact-resistance one-piece seat shell.
- Easy access handle.

Construction:

Seat Shell (All models)

One-piece 0.25"-thick lightweight seat shell is constructed of 90% polypropylene and 10% glass fiber. Includes a molded-in handle that is 3.5" wide x 1.125" high.

4-Leg Chair Frame (HSS4L)

Leg assembly is comprised of two 1.125" OD, 14-gauge steel tubes welded to two 12-gauge sheet metal L-brackets. Stool versions also includes a 7/16" OD steel wire foot ring welded to the leg assembly. Seat shell is attached with six 3/16" tamper-resistant screws. Frame assembly is powder coat or chrome finish (except HSS4L-06A, powder coat only). Includes 1.25" diameter, self-leveling (swivel) glides with a nylon surface. Optional casters for 4-leg chairs are 40mm diameter.

Cantilever Chair Frame (HSSCL)

Leg assembly is comprised of 1.125" OD, 14-gauge steel tube welded to two 12-gauge sheet metal brackets. Seat shell is attached with six 3/16" tamper-resistant screws. Frame assembly is powder coat or chrome finish. Includes all-purpose (.E) or felt (.F) glides.

Task Chair (HSSTK)

Standard with a 5-star, 23" injection-molded base. Heavy duty steel control is attached using six 3/16" tamper-resistant screws to two 12-gauge sheet steel L-brackets. Pneumatic gas cylinder provides a 5" seat height adjustment range (16"–21"). Available with 60mm diameter hard (.H) or soft (.S) dual-wheel casters or nylon bell glides (.G).

Stool (HSSST)

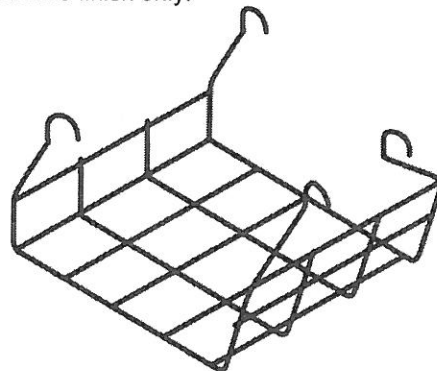
Standard with a 5-star, 25.5" injection-molded base with a height adjustable 20" diameter foot ring. Foot-ring is height adjustable from 7.25" to 12.75". Heavy duty steel control is attached using six 3/16" tamper-resistant screws to two 12-gauge sheet steel L-brackets. Pneumatic gas cylinder provides a 10" seat height adjustment range (22"–32"). Available with 60mm diameter hard (.H) or soft (.S) dual-wheel casters or nylon bell glides (.G).

Additional Information:

Shipping Information: Four-leg chairs, Four-leg caster chairs and Cantilever chairs ship four (4) per carton. Four-leg stools can come either two (2) or one (1) per carton. Task and Stool models are one (1) per carton. Wire book basket ships four (4) per carton

Compliance: Product meets or exceeds applicable ANSI/BIFMA and ISTA Performance Standards.

Wire Under-Seat Book Box (HSSA-WB1618) utilizes 6mm wire frame. Tool-less mounting hooks are plastic covered to protect the chair's finish. Use with 16" and 18" 4-leg chairs only. Chrome finish only.



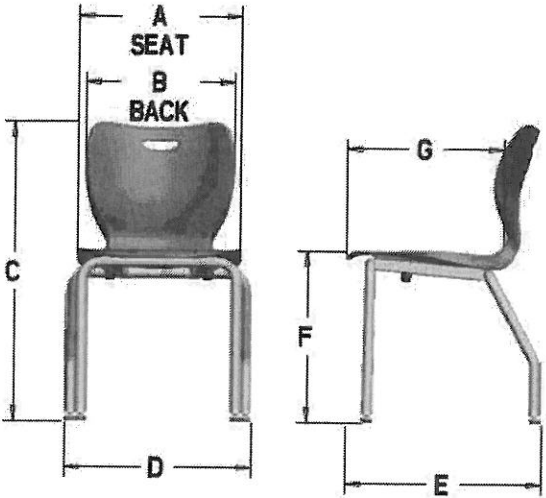
Outside: 12.25"W x 16"L x 9.75"H

Inside: 12.25"W x 14"L x 6.5"H

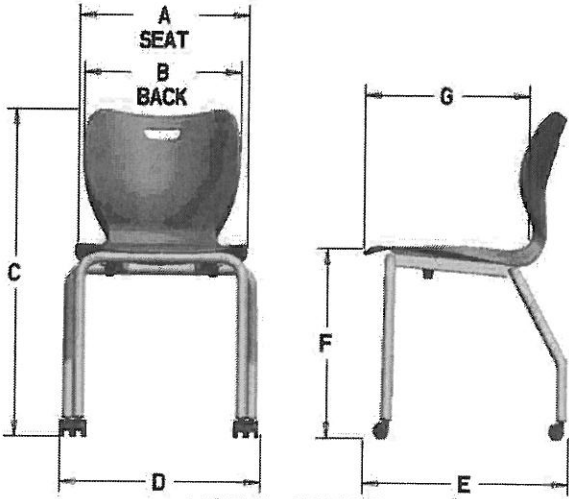
The HON Company
200 Oak Street
Muscatine, IA 52761
800-833-3964
hon.com



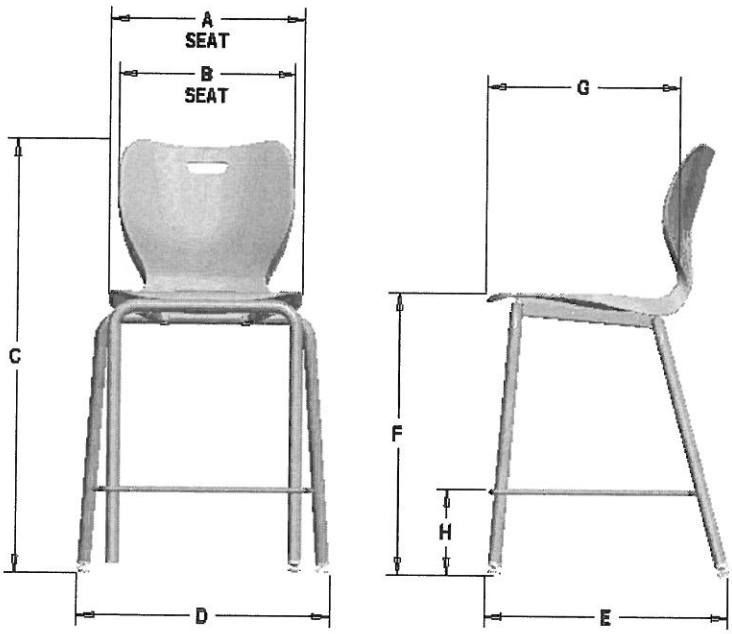
Smartlink™ Seating Technical Specifications



HSS4L



HSS4L-16/18C



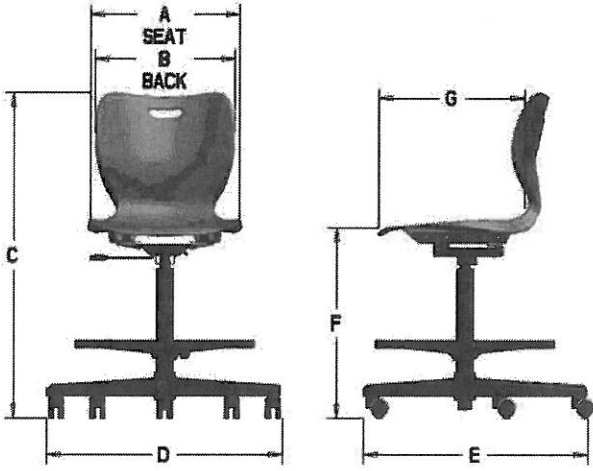
HSS4L-24/30B



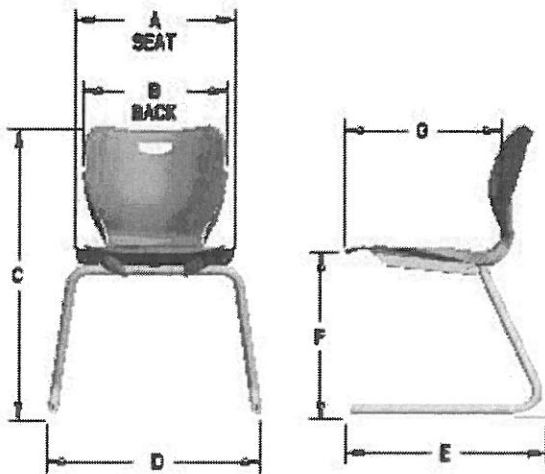
Smartlink™ Seating Technical Specifications



HSSTK-18B



HSSST-18B



HSSCL-18B



Smartlink™ Seating Technical Specifications

4 - LEG QUICK REFERENCE TABLE

Model:	A	B	C	D	E	F	G	H	Shipping Weight	Ind. Unit Weight	Cubes (ft ³)	QTY/Carton
HSS4L-06A	14 5/8	13 3/8	18 3/4	17	16 1/4	6 1/2	14	N/A	37 lb	8 lb	7.75	4
HSS4L-12A	14 5/8	13 3/8	23 1/2	17	17	11 3/4	14	N/A	45 lb	10 lb	12.6	4
HSS4L-14A	14 5/8	13 3/8	25 1/2	17	17	13 3/4	14	N/A	49 lb	11 lb	12.6	4
HSS4L-16B	16 1/2	15 3/8	29	19 5/8	21	15 3/4	16 1/8	N/A	54 lb	12 lb	16.6	4
HSS4L-18B	16 1/2	15 3/8	31	19 5/8	21	17 3/4	16 1/8	N/A	58 lb	13 lb	16.6	4
HSS4L-16BC	16 1/2	15 3/8	30	19 5/8	21	16 5/8	16 1/8	N/A	54 lb	12 lb	16.6	4
HSS4L-18BC	16 1/2	15 3/8	32	19 5/8	21	18 5/8	16 1/8	N/A	58 lb	13 lb	16.6	4
HSS4L-24B	16 1/2	15 3/8	38	22 1/8	21 7/8	24 3/4	16 1/8	7 1/2	49/30 lb	18 lb	16.8	2/1
HSS4L-30B	16 1/2	15 3/8	43 1/2	22 7/8	23 1/8	30 1/4	16 1/8	13	53/32 lb	20 lb	19	2/1

CANTILEVER QUICK REFERENCE TABLE

Model:	A	B	C	D	E	F	G	Shipping Weight	Ind. Unit Weight	Cubes (ft ³)	QTY/Carton
HSSCL-14A	14 5/8	13 3/8	26 1/8	19 1/4	18 1/4	14 1/4	14	52 lb	12 lb	16.6	4
HSSCL-16B	16 1/2	15 3/8	29 1/4	21	20 3/4	16 1/4	16 1/8	55 lb	13 lb	16.6	4
HSSCL-18B	16 1/2	15 3/8	31 1/4	22 3/4	21 3/4	18 1/4	16 1/8	80 lb	18 lb	16.6	4

TASK/STOOL QUICK REFERENCE TABLE

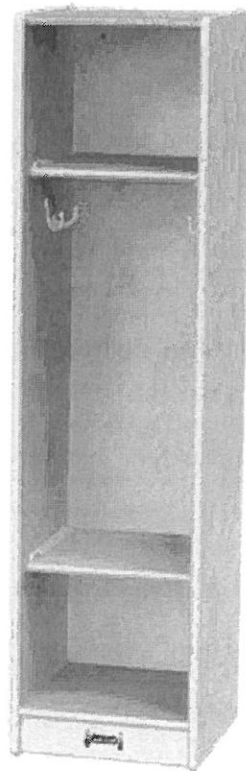
Model:	A	B	C	D	E	F	G	Shipping Weight	Ind. Unit Weight	Cubes (ft ³)	QTY/Carton
HSSTK-18B	16 1/2	15 3/8	30-35	21 3/4	21 3/4	16-21	16 1/8	23 lb	17 lb	5.58	1
HSSST-18B	16 1/2	15 3/8	36-46	21 3/4	21 3/4	22-32	16 1/8	28 lb	21 lb	12.8	1

The HON Company
200 Oak Street
Muscatine, IA 52761
800-833-3964
hon.com



2706JCPW

1 Section Coat locker with Plywood Back



12.5" W x 13" D x 48"H

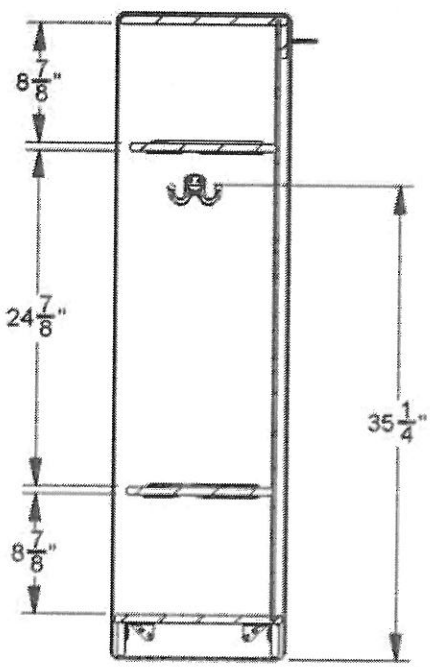
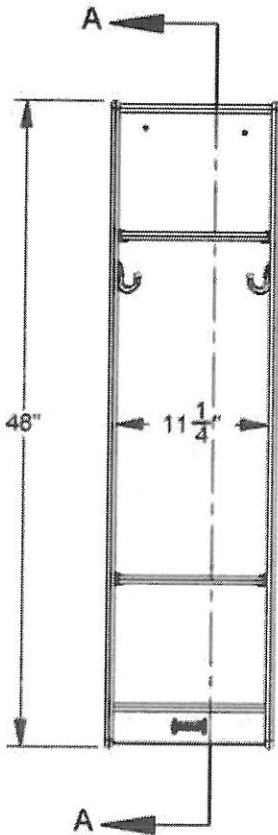
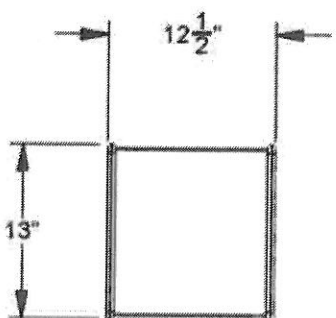
31 Lbs.

- 5/8" 11-Ply Baltic Birch plywood.
- **KYDZStrong**® Construction – Dowel Pin construction with no external fasteners.
- **KYDZSafe**® Edges – All corners have a minimum of a 1/2" radius.
- **KYDZTuff**® Finish – Environmentally friendly, non-toxic, lead-free UV acrylic urethane finish.
- Fully assembled.
- Complies with H.R. 4040 Consumer Product Safety Improvement Act of 2008.
- GREENGUARD GOLD Certified
- Lifetime warranty.





Early Learning **KYDZ** Furniture
For learning, for a lifetime.™



SECTION A-A





Jonti-Craft® Standard Bookcase



Traditional bookcases for housing hundreds of books. Features three shelves that adjust in 1¼ inch increments. Wall fastener included for stability. Fully Assembled. KYDZSafe® edges. KYDZStrong® construction. KYDZTuff® finish. Birch plywood back.

More Information at:
<http://www.jonti-craft.com/Catalog/Detail.asp?Item=0971JC>

Item: 0971JC

- 36.5" W x 11.5" D x 48" H
- Ship Weight: 67 lbs
- Warranty: Lifetime
- Fully Assembled
- Made in United States



Furniture Proposal: Sanford Pride Elementary

On behalf of WB Mason's Contract Furniture Team, I would like to thank you for considering WB Mason as Your Furniture Partner, Consultant, and Supplier.

In the continually evolving sector of classroom furniture, WB Mason prides itself on not only providing extremely competitive pricing, but also In working with our customers to design and provide the BEST OVERALL SOLUTION. WB Mason Is an organization focused on solving customer problems with personalized services and customized solutions.

We look forward to the opportunity to work with you on this project.

Best Regards,

Zack Crouanas

Furniture Manager – WB Mason, Portland ME

www.WBMasonInteriors.com

Furniture Proposal: Sanford Pride Elementary

Team Member	Title
John McDonald	Branch Manager John.McDonald@wbmason.com
Zack Crouanas	Contract Furniture Manager Zack.Crouanas@wbmason.com
Chad Decker	Account Executive Chad.Decker@wbmason.com
Danna Vaughan	Design & Specifications Manager Danna.Vaughan@wbmason.com

Furniture Proposal: Sanford Pride Elementary

Exception #1 : Birch Backpack Cubby- Dimensions are slightly different than specified. Whitney Brothers dimensions are 12.5" W x 14.75" D x 48.25" H

Exception #2 : Birch Adjustable Shelf- Dimensions are slightly different than specified. Whitney Brothers dimensions are 48" W x 15" D x 48H

In the event of a construction delay, WB Mason will work with the manufacturers on a revised ship date. There will be no additional cost to Sanford School Department if there is a delay.

Pricing in this proposal is based on specified quantities on RFQ and quoted install. This also includes assembly, put in place and removal of waste.

Sanford School Department

917 Main Street, Suite 200, Sanford, Maine 04073
Tel: 207-324-2810 Fax: 207-324-5742
www.sanford.org

RFQ Proposal Form for Quotations

RFQ Project: SPE Furniture – Desks, Chairs, Cabinets, and Shelves

To: Cheryl Fournier, Business Administrator
Sanford School Department
917 Main Street, Suite 200
Sanford, Maine 04073

1. In compliance with the RFQ Invitation, Notification, Contact Information, Instructions/Conditions and Product/Services Specifications dated 04-02-21, the undersigned proposes and agrees as follows:

To furnish the goods or services outlined in the attached Product/Services Specifications for the sum of \$ 139,008.66 .

2. It is understood that this quoted price may not be withdrawn for a period of thirty (30) days from the date proposals are opened.

3. It is understood that all persons interested in the bid set forth herein as principals are named herein and no other person who is not mentioned herein has any interest in this proposal or the contract to be entered into. This proposal must be made without connection to any other person, company or party entering a bid and it is in all respects fair and in good faith, without collusion or fraud.

4. By signing this page, it is understood that the person, company or party represented has examined all of the RFQ documents regarding this quote and is duly informed regarding all terms and conditions included.

5. The names and addresses of all persons interested in this bid as principals are as follows:

Zack Cronanas - Sales Manager - W.B. Mason 106 Pinetree Industrial Pkwy, Portland ME 04102
John McDonald - Branch Manager - W.B. Mason 106 Pine Tree Industrial Parkway Portland ME 04102

6. The undersigned has been in business as W.B. Mason for 125 years, during which time there have been no complaints regarding failure to complete work or default on an awarded contract.

7. Signature information:

Dated this 26th day of April, 2021

By: [Signature] Sales Manager
(Signature and title)
W.B. Mason Co, Inc.
(Name of entity)

Zack Cronanas - Sales Manager
(Printed name and title)
106 Pinetree Industrial Pkwy Portland, ME 04102
(Address of entity)
207-712-0703 Zack.Cronanas@wbmason.com
(Phone and email contact information)

Sanford School Department

917 Main Street, Suite 200, Sanford, Maine 04073
Tel: 207-324-2810 Fax: 207-324-5742
www.sanford.org

RFQ Product or Service Specifications

RFQ Project: SPE Furniture - Desks, Chairs, Cabinets, and Shelves

Sanford School Department will supply specifications as follows:

<u>Product Specifications:</u>	
Product name	
Product size	See below
Quantity required	
Special requirements	
Delivery locations	

400 Triangle Desks with adjustable heights between 23 inches and 33 inches
(similar quality and look to HON Smartlink desks and chairs at our other schools)



52 four leg student chairs 12 inches

300 four leg student chairs 14 inches

52 four leg student chairs 16 inches



400 birch Backpack Cubby Cabinet 12" W x 15" D x 51" H

30 birch 42" x 48" x 15" Adjustable Shelf

Limited Lifetime Warrantee

Unpacked, remove cardboard, and assembled

The construction is expected to be finished end of June, please note the expected timeline of furniture deliver after order being placed. If the construction has a delay is there warehouse space or what is the timeline to change a delivery date? Is there additional costs if there is a delay to the delivery date?

Would there be additional cost for staggering the delivery date of the order (1/3 of the order at a time)?

To be delivered to Sanford Pride Elementary, 708 Main St, Sanford, ME 04073.

4700 Series



Overview:

The 4700 student desk is available with a Melsur® solid plastic top. The Melsur® solid plastic top is standard with the "Ergo Edge," Scholar Craft's exclusive design for added comfort. The Melsur® solid plastic work surface is made of 3/4" solid plastic consisting of wood flour and Melamine resin with binder component to assure a durable, smooth, stain resistant surface. Top size: 27.5" x 27.5".

12 gauge frame structure MIG welded to 1" 16 gauge steel legs and cross-brace forming an unitized frame design. The nickel chrome plated leg inserts are made of 16 gauge steel. Silent, rubber cushioned stem adjustable height 1" diameter for ease of leveling. Glides are made of hard carbon steel with flat nylon bottom and chrome plated. Steel base glides, felt tip glides and Qball glides are available.

Available Options: Casters, Plastic Book Box, Metal Book Box, 5/16" diameter Wire book rack, Book bag hook. MDF top, Steel Glides, Felt Glides, Q-Ball Glides. Adjustable from 22" to 30" in one inch increments.

22" to 33" - see circ 1

k • a • l • e • i • d • o • s • c • o • p • e

www.scholarcraft.com

Solid Plastic Work Surfaces



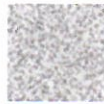
Sunstone



Maple



Golden Oak



Grey Nebula



Grey



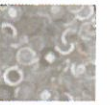
Beige



Chocolate Granite*



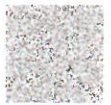
Blue Granite*



Beluga Beige*



Verdicts In*



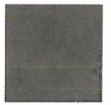
Graphite Nebula*



Natural Nebula*



Grey Glace



Flame Soapstone*



Silver Alchemy*

Custom work surfaces available on request.



Chrome



Platinum



Black

Frames



Ovation 3100 Series Chairs



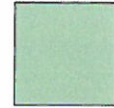
Overview:

The Ovation Series Stack chair is designed to promote comfort for today's 21st Century Learning Environment. The Ovation Chair is presently offered in 5 different sizes: 12", 14", 16", 18", 18XL"

The shell consists of heavy duty and static free, high-density polypropylene material with a light grain texture surface on both sides. The shell is injection molded into a one-piece shell unit with 17 heavy duty reinforcing structural ribs with waterfall edge. The ergonomically designed opening in the shell back provides added comfort as well as a handle grip. The shell is attached to the frame with steel rivets underneath the seat, which offers no exposed hardware on the surface.

The frames are formed of 1-1/8" 18-gauge tubular steel. (16-gauge on the XL). The legs are welded to two 14 gauge steel brackets with a continuous weld at all four connection areas. Brackets run front to back on the chair. No additional bracing is needed between the legs for support. The frame is bright nickel chrome plated after welding. The frames colors offered are: Chrome, Black, and Platinum.

Ovation Poly



Mint Green



Cornflower



Charcoal



Light Grey



Teal



Blue



Green



Burgundy



Navy



Cranberry



Black



Yellow



Red



Brown



Purple



Tangerine

WB0186 Single Section Coat Locker

Build your own coat locker configuration! This two section [upper and lower] coat locker integrates seamlessly with our best-selling WB0196A 10 Section Coat Locker or can be combined with other WB0186 lockers to create the coat locker solution that's exactly right for your room environment. Each upper and lower section includes a single sturdy rounded-over hook and separate cubby storage compartments for footwear, backpacks, binders and what-not. Constructed in beautiful, durable Birch plywood in safe, non-toxic Natural UV that won't yellow or fade and withstands the rigorous use by children. Product Dimensions: 12.5 in. Wide x 14.8 in. Deep x 48.0 in. High. Product arrives Fully Assembled. Intended for ages between 30 months & 72 months and weighing up to 100 pounds. Compact, efficient storage. Innovative space-saving design!

Made in USA.

GreenGuard™ Gold certified.

Full Lifetime Warranty.

Ships via Ground typically in 28 days.

Shipping Dims: 14 in. Wide x 16 in. Deep x 50 in. High x 42 Pounds.



Ph: 1-800-225-5381

Fx: 1-603-357-1559

PO Box 644

93 Railroad Street, Keene NH 03431

www.whitneybros.com



WHITNEY BROTHERS
EDUCATIONAL FURNITURE FOR CHILDREN

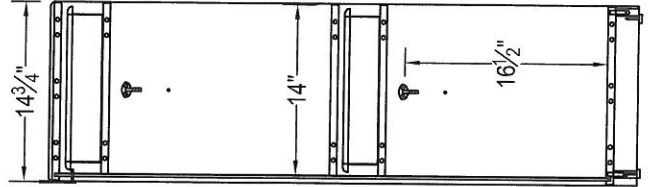
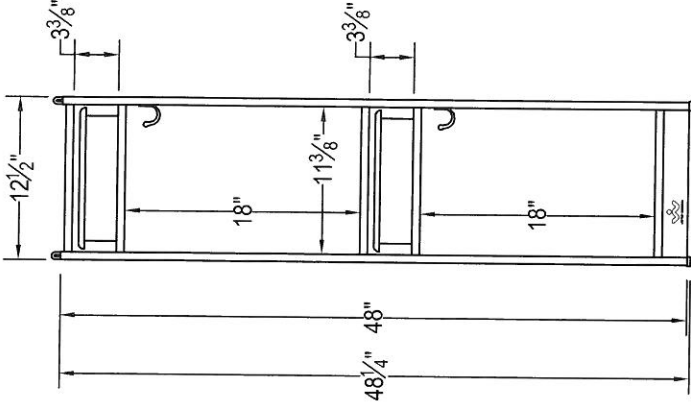
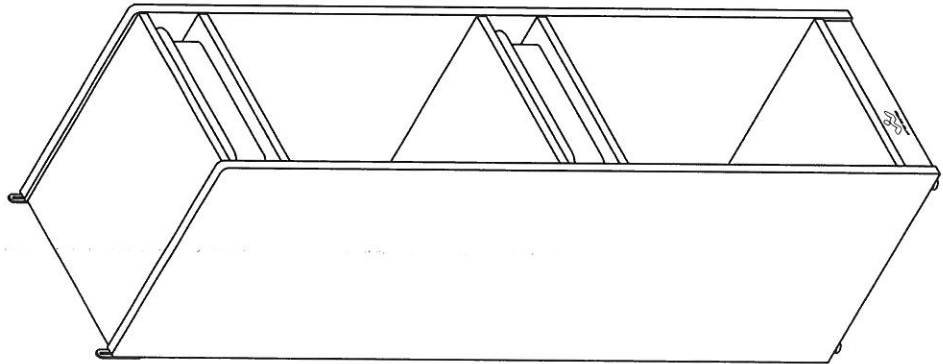
WB0186

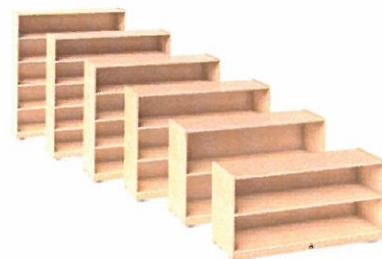
0

1 SECTION COAT LOCKER

15MM BALTIC BIRCH PLYWOOD
DOWEL CONSTRUCTION
FULLY ASSEMBLED
STAMPED - WHITNEY
2 DOUBLE PRONGED COAT
HOOKS
GLIDES

101-320 PANS ARE A SEPERATE
ITEM - NOT INCLUDED



WB1849 Shelf Cabinet 48H

Handsome and economical mobile shelf storage cabinet! Our Shelf Cabinet family features standard dimensions of 15-in depth and 48-in width and is available in heights of 24-in, 30-in, 36-in, 42-in, 48-in and 54-in. The WB1849 48-in Shelf Cabinet features one fixed and three adjustable shelves that provide flexible configuration to accommodate a varied assortment of taller books, larger toys, stuffed animals or other large items. Mounted on four heavy duty non-marking casters; includes wall attachment brackets for safety. Constructed in beautiful, durable 15mm birch plywood and 1/4-inch backboard with no visible screws or joinery for a fine finished furniture look. Need a different height? Check out the options in our Shelf Cabinet family: WB1843 54-in, WB1850 42-in, WB1853 36-in, WB1851 30-in and WB1852 24-in [each sold separately]. Constructed in beautiful, durable Birch plywood in safe, non-toxic Natural UV that won't yellow or fade and withstands the rigorous use by children. Product Dimensions: 48.0 in. Wide x 15.0 in. Deep x 48.0 in. High. Product arrives Fully Assembled. Intended for ages between 30 months & 144 months and weighing up to 100 pounds.

Fine finished furniture construction. Part of the Whitney Brothers® Shelf Storage Cabinet family.

Made in USA.

GreenGuard™ Gold certified.

Full Lifetime Warranty.

Ships via Truck typically in 28 days.

Shipping Dims: 49 in. Wide x 16 in. Deep x 49 in. High x 108 Pounds.



Ph: 1-800-225-5381

Fx: 1-603-357-1559

PO Box 644

93 Railroad Street, Keene NH 03431

www.whitneybros.com

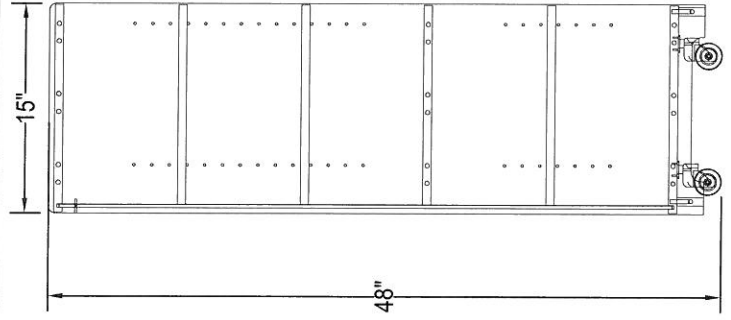
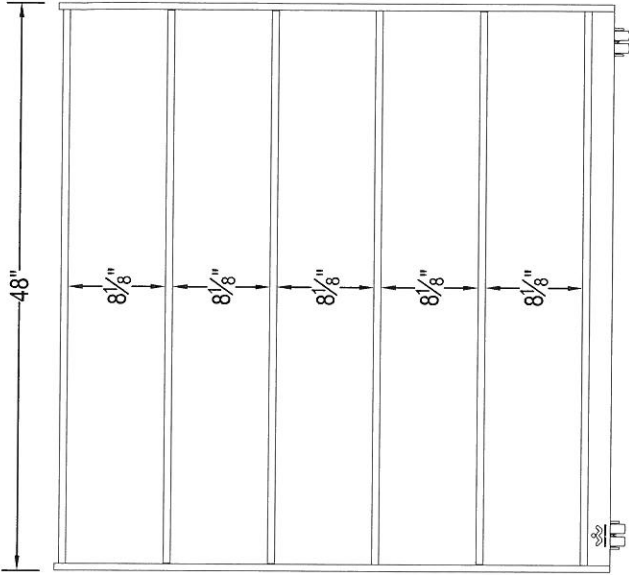
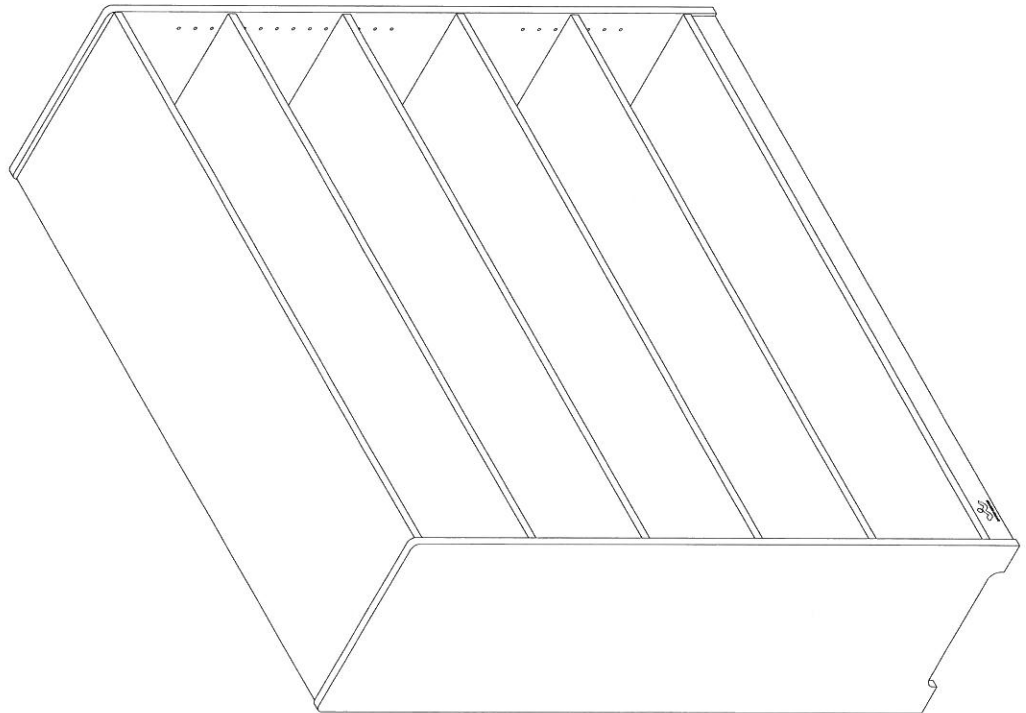
15 MM BIRCH PLY
 DOWEL CONSTRUCTION
 ASSEMBLED
 STAMPED
 CASTERS
 1 FIXED SHELF
 3 ADJUSTABLE SHELVES

WHITNEY BROTHERS
 EDUCATIONAL FURNITURE FOR CHILDREN

WB1849

0

48" TALL SHELF CABINET





CERTIFICATE OF LIABILITY INSURANCE

DATE(MM/DD/YYYY)
10/03/2020

THIS CERTIFICATE IS ISSUED AS A MATTER OF INFORMATION ONLY AND CONFERS NO RIGHTS UPON THE CERTIFICATE HOLDER. THIS CERTIFICATE DOES NOT AFFIRMATIVELY OR NEGATIVELY AMEND, EXTEND OR ALTER THE COVERAGE AFFORDED BY THE POLICIES BELOW. THIS CERTIFICATE OF INSURANCE DOES NOT CONSTITUTE A CONTRACT BETWEEN THE ISSUING INSURER(S), AUTHORIZED REPRESENTATIVE OR PRODUCER, AND THE CERTIFICATE HOLDER.

IMPORTANT: If the certificate holder is an ADDITIONAL INSURED, the policy(ies) must have ADDITIONAL INSURED provisions or be endorsed. If SUBROGATION IS WAIVED, subject to the terms and conditions of the policy, certain policies may require an endorsement. A statement on this certificate does not confer rights to the certificate holder in lieu of such endorsement(s).

PRODUCER Aon Risk Services Northeast, Inc. Boston MA Office 53 State Street Suite 2201 Boston MA 02109 USA		CONTACT NAME: PHONE (A/C, No, Ext): (866) 283-7122 FAX (A/C, No.): (800) 363-0105 E-MAIL ADDRESS:	
INSURED W.B. MASON CO., INC. 59 Centre Street Brockton MA 02301 USA		INSURER(S) AFFORDING COVERAGE	
		INSURER A: Hartford Fire Insurance Co.	NAIC # 19682
		INSURER B: Hartford Underwriters Insurance Company	30104
		INSURER C: Starr Indemnity & Liability Company	38318
		INSURER D:	
		INSURER E:	
		INSURER F:	

Holder Identifier :

COVERAGES **CERTIFICATE NUMBER:** 570084401588 **REVISION NUMBER:**

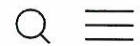
THIS IS TO CERTIFY THAT THE POLICIES OF INSURANCE LISTED BELOW HAVE BEEN ISSUED TO THE INSURED NAMED ABOVE FOR THE POLICY PERIOD INDICATED. NOTWITHSTANDING ANY REQUIREMENT, TERM OR CONDITION OF ANY CONTRACT OR OTHER DOCUMENT WITH RESPECT TO WHICH THIS CERTIFICATE MAY BE ISSUED OR MAY PERTAIN, THE INSURANCE AFFORDED BY THE POLICIES DESCRIBED HEREIN IS SUBJECT TO ALL THE TERMS, EXCLUSIONS AND CONDITIONS OF SUCH POLICIES. LIMITS SHOWN MAY HAVE BEEN REDUCED BY PAID CLAIMS.

INSR LTR	TYPE OF INSURANCE	ADDL INSD	SUBR WVD	POLICY NUMBER	POLICY EFF (MM/DD/YYYY)	POLICY EXP (MM/DD/YYYY)	Limits shown are as requested	
							LIMITS	
A	<input checked="" type="checkbox"/> COMMERCIAL GENERAL LIABILITY <input type="checkbox"/> CLAIMS-MADE <input checked="" type="checkbox"/> OCCUR GEN'L AGGREGATE LIMIT APPLIES PER: <input type="checkbox"/> POLICY <input type="checkbox"/> PRO-JECT <input checked="" type="checkbox"/> LOC OTHER:			08CSES39805	09/30/2020	09/30/2021	EACH OCCURRENCE	\$1,000,000
							DAMAGE TO RENTED PREMISES (Ea occurrence)	\$1,000,000
							MED EXP (Any one person)	\$15,000
							PERSONAL & ADV INJURY	\$1,000,000
							GENERAL AGGREGATE	\$2,000,000
							PRODUCTS - COMP/OP AGG	\$2,000,000
							Gen Agg Cap Limit	\$10,000,000
A	<input checked="" type="checkbox"/> AUTOMOBILE LIABILITY <input checked="" type="checkbox"/> ANY AUTO <input type="checkbox"/> OWNED AUTOS ONLY <input type="checkbox"/> HIRED AUTOS ONLY <input type="checkbox"/> SCHEDULED AUTOS <input type="checkbox"/> NON-OWNED AUTOS ONLY			08 CSE S39802	09/30/2020	09/30/2021	COMBINED SINGLE LIMIT (Ea accident)	\$1,000,000
							BODILY INJURY (Per person)	
							BODILY INJURY (Per accident)	
							PROPERTY DAMAGE (Per accident)	
							Uninsured Motorist	\$300,000
C	<input type="checkbox"/> UMBRELLA LIAB <input checked="" type="checkbox"/> OCCUR <input checked="" type="checkbox"/> EXCESS LIAB <input type="checkbox"/> CLAIMS-MADE <input type="checkbox"/> DED <input type="checkbox"/> RETENTION			1000589559201	09/30/2020	09/30/2021	EACH OCCURRENCE	\$5,000,000
							AGGREGATE	\$5,000,000
B	WORKERS COMPENSATION AND EMPLOYERS' LIABILITY ANY PROPRIETOR / PARTNER / EXECUTIVE OFFICER/MEMBER EXCLUDED? (Mandatory in NH) If yes, describe under DESCRIPTION OF OPERATIONS below	Y/N N	N/A	08WNS39800	09/30/2020	09/30/2021	<input checked="" type="checkbox"/> PER STATUTE <input type="checkbox"/> OTH E.L. EACH ACCIDENT	\$1,000,000
							E.L. DISEASE-EA EMPLOYEE	\$1,000,000
							E.L. DISEASE-POLICY LIMIT	\$1,000,000

Certificate No : 570084401588

DESCRIPTION OF OPERATIONS / LOCATIONS / VEHICLES (ACORD 101, Additional Remarks Schedule, may be attached if more space is required)
 RE: Bid. Evidence of Insurance.

CERTIFICATE HOLDER W.B. Mason Co., Inc. 59 Centre Street Brockton MA 02403 USA	CANCELLATION SHOULD ANY OF THE ABOVE DESCRIBED POLICIES BE CANCELLED BEFORE THE EXPIRATION DATE THEREOF, NOTICE WILL BE DELIVERED IN ACCORDANCE WITH THE POLICY PROVISIONS.
	AUTHORIZED REPRESENTATIVE



Limited Lifetime Warranty

#1 Scholar Craft Pkwy, PO Box 170748, Birmingham,
AL 35217

The warranty information below is effective on all Scholar Craft products for orders manufactured after June 1, 2016. For warranty information concerning orders placed prior to June 1, 2016, please refer to the warranty information contained in the published price list of the corresponding year. For additional information relating to warranty, please contact your Customer Service Representative.

Effective June 1, 2016 Scholar Craft warrants to the original purchaser that its products are free from defects in material and workmanship under normal classroom use for as long as the life of the product, except as set forth below.

During the warranty period, Scholar Craft will replace, or at its option, repair locally, repair at its factory, any Scholar Craft brand product manufactured after June 1, 2016 that, upon inspection by Scholar Craft, is determined to be defective in material or workmanship.

This warranty is subject to the following provisions:



their character and are not considered defects. Scholar Craft does not warrant the colorfastness or matching of colors, grains, or textures of these materials. Customer's Own Material (COM) selected by and used at the request of an original purchaser is not warranted. Our products are intended for interior use – exterior use of them will void the warranty.

The materials and components listed below are covered from the date of sale according to the following:

Seating controls, glides, pneumatic cylinders, casters - 3 years.

This warranty does not apply to:

- Normal wear and tear
- Damage from environmental factors
- Damage from sharp objects
- Damage from accident, alteration, misuse, or improper installation or maintenance
- Modifications or attachments to the product not approved by Scholar Craft
- Products used for rental purposes



- Third-party products - Scholar Craft, to the extent possible, will pass through to the original purchaser (and process claims under) any warranty provided by third-party products supplied to Scholar Craft.
- All warranty claims are to be made in writing by the original purchaser. The original purchaser may be required to produce the invoice or other evidence to establish that a claim is within the warranty period.

To the extent allowed by law, Scholar Craft makes no other warranty, either expressed or implied, including any warranty or merchantability or fitness for a particular purpose. Scholar Craft is not liable for any consequential or incidental damages. This warranty contains the original purchaser's exclusive remedy.

Your Scholar Craft Dealer is our mutual partner in supporting your warranty requests. To obtain service under this warranty, please contact your Scholar Craft Dealer.



[About](#) [Location](#) [Contact](#) [Warranty](#) [Contracts](#) [Customer Service](#)
[Request Catalog](#) [Project Quote](#) [Price List](#) [Instagram](#) [Twitter](#)



Whitney Brothers® Lifetime Warranty

Effective January 1, 2012

Whitney Brothers®, located at 93 Railroad Street, Keene, NH 03431, USA, warrants products it manufactures that are purchased after January 1, 2012, to be free of defects in materials and workmanship for a Lifetime period from date of the shipment.

During the warranty period, Whitney Brothers®, as its sole obligation, will replace any product, part, or component covered by this warranty and sold after the effective date of this warranty.

This warranty extends only to the original purchasers who acquire new product from an authorized Whitney Brothers® reseller. Any product, part, or component must have been installed, used, and maintained according to Whitney Brothers® published instructions to be eligible for coverage under this warranty.

This warranty does not apply to products that Whitney Brothers® does not manufacture or that are damaged resulting from misuse, abuse, neglect, accident, improper application, modification, or repair by persons not authorized by Whitney Brothers®. Any modification to the original product voids the manufacturer's warranty.

Any implied warranties, including any warranty of merchantability or fitness for a particular purpose, are disclaimed to the extent allowed by law. Whitney Brothers® will not be liable for loss of time, inconvenience, commercial loss or incidental or consequential damages for any warranty claim.



Furniture Proposal: Sanford Pride Elementary

On behalf of WB Mason's Contract Furniture Team, I would like to thank you for considering WB Mason as Your Furniture Partner, Consultant, and Supplier.

In the continually evolving sector of classroom furniture, WB Mason prides itself on not only providing extremely competitive pricing, but also In working with our customers to design and provide the BEST OVERALL SOLUTION. WB Mason Is an organization focused on solving customer problems with personalized services and customized solutions.

We look forward to the opportunity to work with you on this project.

Best Regards,

Zack Crouanas

Furniture Manager – WB Mason, Portland ME

www.WBMasonInteriors.com

Furniture Proposal: Sanford Pride Elementary

Team Member	Title
John McDonald	Branch Manager John.McDonald@wbmason.com
Zack Crouanas	Contract Furniture Manager Zack.Crouanas@wbmason.com
Chad Decker	Account Executive Chad.Decker@wbmason.com
Danna Vaughan	Design & Specifications Manager Danna.Vaughan@wbmason.com

Furniture Proposal: Sanford Pride Elementary

Exception #1 : Birch Backpack Cubby- Dimensions are slightly different than specified. Whitney Brothers dimensions are 12.5" W x 14.75" D x 48.25" H

Exception #2 : Birch Adjustable Shelf- Dimensions are slightly different than specified. Whitney Brothers dimensions are 48" W x 15" D x 48H

In the event of a construction delay, WB Mason will work with the manufacturers on a revised ship date. There will be no additional cost to Sanford School Department if there is a delay.

Pricing in this proposal is based on specified quantities on RFQ and quoted install. This also includes assembly, put in place and removal of waste.

Sanford School Department

917 Main Street, Suite 200, Sanford, Maine 04073
Tel: 207-324-2810 Fax: 207-324-5742
www.sanford.org

RFQ Proposal Form for Quotations

RFQ Project: SPE Furniture – Desks, Chairs, Cabinets, and Shelves

To: Cheryl Fournier, Business Administrator
Sanford School Department
917 Main Street, Suite 200
Sanford, Maine 04073

1. In compliance with the RFQ Invitation, Notification, Contact Information, Instructions/Conditions and Product/Services Specifications dated 04-02-21, the undersigned proposes and agrees as follows:

To furnish the goods or services outlined in the attached Product/Services Specifications for the sum of \$ 142,355.58.

2. It is understood that this quoted price may not be withdrawn for a period of thirty (30) days from the date proposals are opened.

3. It is understood that all persons interested in the bid set forth herein as principals are named herein and no other person who is not mentioned herein has any interest in this proposal or the contract to be entered into. This proposal must be made without connection to any other person, company or party entering a bid and it is in all respects fair and in good faith, without collusion or fraud.

4. By signing this page, it is understood that the person, company or party represented has examined all of the RFQ documents regarding this quote and is duly informed regarding all terms and conditions included.

5. The names and addresses of all persons interested in this bid as principals are as follows:

ZACK CROUNAS - W.B. Mason Co, Inc. 106 Pinetree Industrial Parkway, Portland, ME
John McDonald - W.B. Mason 106 Pine Tree Industrial Parkway Portland ME

6. The undersigned has been in business as W.B. Mason for 125 years, during which time there have been no complaints regarding failure to complete work or default on an awarded contract.

7. Signature information:

Dated this 26th day of April, 2021

By: [Signature] Sales Manager
(Signature and title)
W.B. Mason Co, Inc.
(Name of entity)

Zack Cronas - Sales Manager
(Printed name and title)
106 Pinetree Industrial Pkwy Portland, ME 04102
(Address of entity)
207-712-0703 Zack.Cronas@WBMason.com
(Phone and email contact information)

Sanford School Department

917 Main Street, Suite 200, Sanford, Maine 04073
Tel: 207-324-2810 Fax: 207-324-5742
www.sanford.org

RFQ Product or Service Specifications

RFQ Project: SPE Furniture - Desks, Chairs, Cabinets, and Shelves

Sanford School Department will supply specifications as follows:

<u>Product Specifications:</u>	
Product name	
Product size	See below
Quantity required	
Special requirements	
Delivery locations	

400 Triangle Desks with adjustable heights between 23 inches and 33 inches

(similar quality and look to HON Smartlink desks and chairs at our other schools)



52 four leg student chairs 12 inches

300 four leg student chairs 14 inches

52 four leg student chairs 16 inches



400 birch Backpack Cubby Cabinet 12" W x 15" D x 51" H

30 birch 42" x 48" x 15" Adjustable Shelf

Limited Lifetime Warrantee

Unpacked, remove cardboard, and assembled

The construction is expected to be finished end of June, please note the expected timeline of furniture deliver after order being placed. If the construction has a delay is there warehouse space or what is the timeline to change a delivery date? Is there additional costs if there is a delay to the delivery date?

Would there be additional cost for staggering the delivery date of the order (1/3 of the order at a time)?

To be delivered to Sanford Pride Elementary, 708 Main St, Sanford, ME 04073.

SCHOLAR CRAFT™

4700 Series



Overview:

The 4700 student desk is available with a Melsur® solid plastic top. The Melsur® solid plastic top is standard with the "Ergo Edge," Scholar Craft's exclusive design for added comfort. The Melsur® solid plastic work surface is made of 3/4" solid plastic consisting of wood flour and Melamine resin with binder component to assure a durable, smooth, stain resistant surface. Top size: 27.5" x 27.5".

12 gauge frame structure MIG welded to 1" 16 gauge steel legs and cross-brace forming an unitized frame design. The nickel chrome plated leg inserts are made of 16 gauge steel. Silent, rubber cushioned stem adjustable height 1" diameter for ease of leveling. Glides are made of hard carbon steel with flat nylon bottom and chrome plated. Steel base glides, felt tip glides and Qball glides are available.

Available Options: Casters, Plastic Book Box, Metal Book Box, 5/16" diameter Wire book rack, Book bag hook. MDF top, Steel Glides, Felt Glides, Q-Ball Glides. Adjustable from ~~22"~~ to 30" in one inch increments.

22" to 33" - special

k . a . l . e . i . d . o . s . c . o . p . e

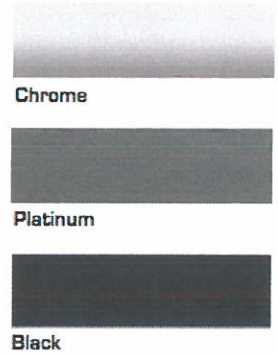
www.scholarcraft.com

Solid Plastic Work Surfaces



Custom work surfaces available on request.

Frames



2 thrive™ 5100 Series



Frames



Chrome



Platinum



Black



Smokey Taupe



Washed Denim



Go Go Green



Fall Squash



*Spring Lavender



Mint Green



Charcoal



Cornflower



Black



*Light Grey



Red



Yellow



*Chocolate Nougat



Cool Blue



Purple



Navy



*Cranberry



*Crayon Teal



Green



Primary Blue



*Burgundy

Overview :

Heavy duty and static free, high-density polypropylene material with a light grain texture surface on both sides, injection molded into a one-piece shell with waterfall edge. Molded in a Ribless back design for comfort and flexibility. The ergonomically designed opening in the shell back provides added comfort as well as a handle grip. The shell is attached to the frame with steel rivets underneath the seat, which offers no exposed hardware on the surface.

Legs are formed of 1-1/8" 14-gauge tubular steel. The legs are welded to two 14-gauge steel brackets with a continuous weld at all four connection areas. Brackets run front to back on the chair. No additional bracing is needed between the legs for support. The frame is bright nickel chrome, plated after welding. Powder coat paint is also offered. Glides are silent, rubber cushioned, swivel of self-leveling, 1" diameter, hard carbon steel, nylon based type with a flat bottom, chrome plated.

Available Sizes: 12", 14", 16", & 18" XL

Available Options: Bookrack, Casters, Padded Seat, Band Pitch, Steel Glides, Felt-Tip Glides, Qball Glides, Boot Glides

WB0186 Single Section Coat Locker

Build your own coat locker configuration! This two section [upper and lower] coat locker integrates seamlessly with our best-selling WB0196A 10 Section Coat Locker or can be combined with other WB0186 lockers to create the coat locker solution that's exactly right for your room environment. Each upper and lower section includes a single sturdy rounded-over hook and separate cubby storage compartments for footwear, backpacks, binders and what-not. Constructed in beautiful, durable Birch plywood in safe, non-toxic Natural UV that won't yellow or fade and withstands the rigorous use by children. Product Dimensions: 12.5 in. Wide x 14.8 in. Deep x 48.0 in. High. Product arrives Fully Assembled. Intended for ages between 30 months & 72 months and weighing up to 100 pounds. Compact, efficient storage. Innovative space-saving design!

Made in USA.

GreenGuard™ Gold certified.

Full Lifetime Warranty.

Ships via Ground typically in 28 days.

Shipping Dims: 14 in. Wide x 16 in. Deep x 50 in. High x 42 Pounds.



Ph: 1-800-225-5381

Fx: 1-603-357-1559

PO Box 644

93 Railroad Street, Keene NH 03431

www.whitneybros.com

WHITNEY BROTHERS
 EDUCATIONAL FURNITURE FOR CHILDREN

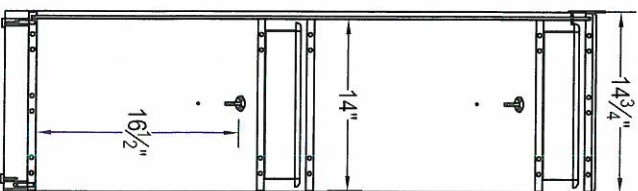
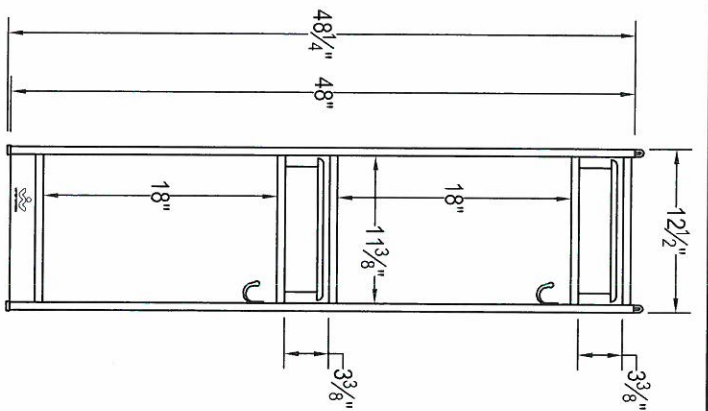
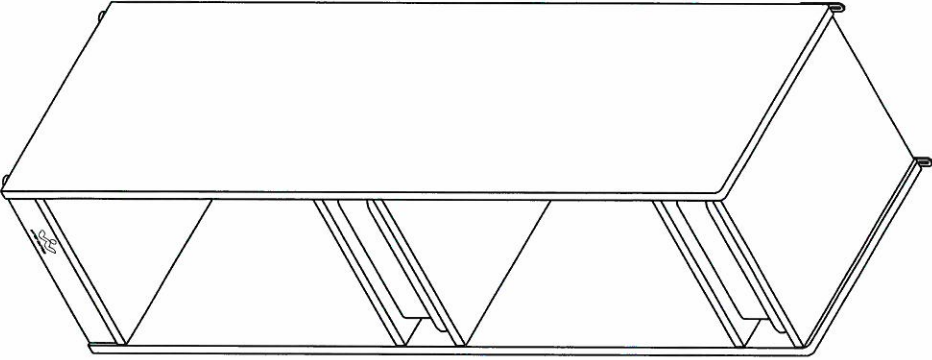
WB0186

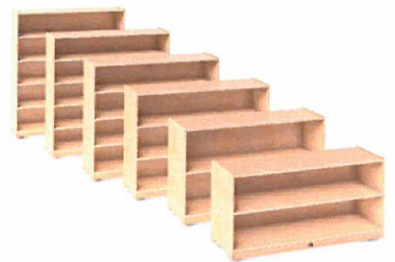
0

1 SECTION COAT LOCKER

15MM BAL TIC BIRCH PLYWOOD
 DOWEL CONSTRUCTION
 FULLY ASSEMBLED
 STAMPED - WHITNEY
 2 DOUBLE PRONGED COAT
 HOOKS
 GLIDES

101-320 PANS ARE A SEPERATE
 ITEM - NOT INCLUDED



WB1849 Shelf Cabinet 48H

Handsome and economical mobile shelf storage cabinet! Our Shelf Cabinet family features standard dimensions of 15-in depth and 48-in width and is available in heights of 24-in, 30-in, 36-in, 42-in, 48-in and 54-in. The WB1849 48-in Shelf Cabinet features one fixed and three adjustable shelves that provide flexible configuration to accommodate a varied assortment of taller books, larger toys, stuffed animals or other large items. Mounted on four heavy duty non-marking casters; includes wall attachment brackets for safety. Constructed in beautiful, durable 15mm birch plywood and 1/4-inch backboard with no visible screws or joinery for a fine finished furniture look. Need a different height? Check out the options in our Shelf Cabinet family: WB1843 54-in, WB1850 42-in, WB1853 36-in, WB1851 30-in and WB1852 24-in [each sold separately]. Constructed in beautiful, durable Birch plywood in safe, non-toxic Natural UV that won't yellow or fade and withstands the rigorous use by children. Product Dimensions: 48.0 in. Wide x 15.0 in. Deep x 48.0 in. High. Product arrives Fully Assembled. Intended for ages between 30 months & 144 months and weighing up to 100 pounds.

Fine finished furniture construction. Part of the Whitney Brothers® Shelf Storage Cabinet family.

Made in USA.

GreenGuard™ Gold certified.

Full Lifetime Warranty.

Ships via Truck typically in 28 days.

Shipping Dims: 49 in. Wide x 16 in. Deep x 49 in. High x 108 Pounds.



Ph: 1-800-225-5381

Fx: 1-603-357-1559

PO Box 644

93 Railroad Street, Keene NH 03431

www.whitneybros.com



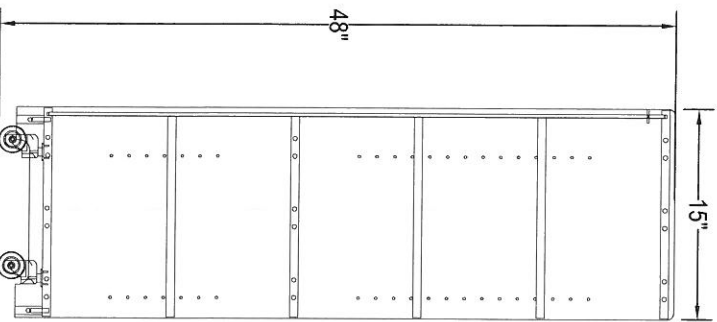
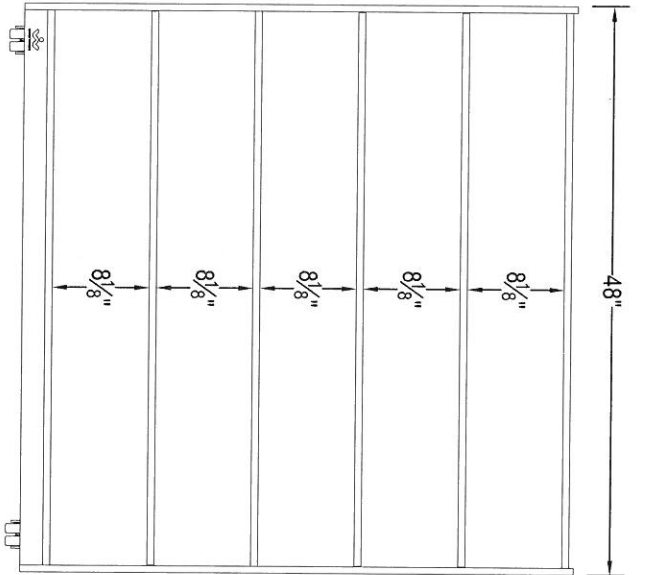
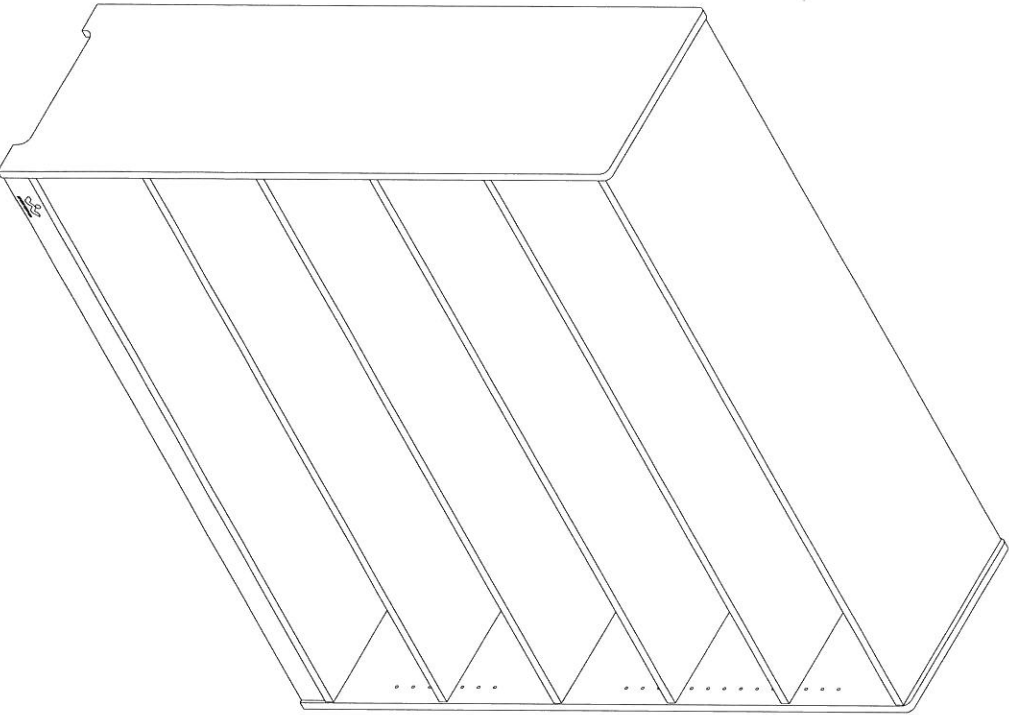
WHITNEY BROTHERS
EDUCATIONAL FURNITURE FOR CHILDREN

WB1849

0

48" TALL SHELF CABINET

- 15 MM BIRCH PLY
- DOWEL CONSTRUCTION
- ASSEMBLED
- STAMPED
- CASTERS
- 1 FIXED SHELF
- 3 ADJUSTABLE SHELVES





CERTIFICATE OF LIABILITY INSURANCE

DATE(MM/DD/YYYY)
10/03/2020

THIS CERTIFICATE IS ISSUED AS A MATTER OF INFORMATION ONLY AND CONFERS NO RIGHTS UPON THE CERTIFICATE HOLDER. THIS CERTIFICATE DOES NOT AFFIRMATIVELY OR NEGATIVELY AMEND, EXTEND OR ALTER THE COVERAGE AFFORDED BY THE POLICIES BELOW. THIS CERTIFICATE OF INSURANCE DOES NOT CONSTITUTE A CONTRACT BETWEEN THE ISSUING INSURER(S), AUTHORIZED REPRESENTATIVE OR PRODUCER, AND THE CERTIFICATE HOLDER.

IMPORTANT: If the certificate holder is an ADDITIONAL INSURED, the policy(ies) must have ADDITIONAL INSURED provisions or be endorsed. If SUBROGATION IS WAIVED, subject to the terms and conditions of the policy, certain policies may require an endorsement. A statement on this certificate does not confer rights to the certificate holder in lieu of such endorsement(s).

PRODUCER Aon Risk Services Northeast, Inc. Boston MA Office 53 State Street Suite 2201 Boston MA 02109 USA	CONTACT NAME: PHONE (A/C. No. Ext): (866) 283-7122 FAX (A/C. No.): (800) 363-0105		
	E-MAIL ADDRESS:		
INSURED W.B. MASON CO., INC. 59 Centre Street Brockton MA 02301 USA	INSURER(S) AFFORDING COVERAGE		NAIC #
	INSURER A: Hartford Fire Insurance Co.		19682
	INSURER B: Hartford Underwriters Insurance Company		30104
	INSURER C: Starr Indemnity & Liability Company		38318
	INSURER D: INSURER E: INSURER F:		

COVERAGES **CERTIFICATE NUMBER:** 570084401588 **REVISION NUMBER:**

THIS IS TO CERTIFY THAT THE POLICIES OF INSURANCE LISTED BELOW HAVE BEEN ISSUED TO THE INSURED NAMED ABOVE FOR THE POLICY PERIOD INDICATED. NOTWITHSTANDING ANY REQUIREMENT, TERM OR CONDITION OF ANY CONTRACT OR OTHER DOCUMENT WITH RESPECT TO WHICH THIS CERTIFICATE MAY BE ISSUED OR MAY PERTAIN, THE INSURANCE AFFORDED BY THE POLICIES DESCRIBED HEREIN IS SUBJECT TO ALL THE TERMS, EXCLUSIONS AND CONDITIONS OF SUCH POLICIES. LIMITS SHOWN MAY HAVE BEEN REDUCED BY PAID CLAIMS.

INSR LTR	TYPE OF INSURANCE	ADDL INSD	SUBR WVD	POLICY NUMBER	POLICY EFF (MM/DD/YYYY)	POLICY EXP (MM/DD/YYYY)	LIMITS
A	<input checked="" type="checkbox"/> COMMERCIAL GENERAL LIABILITY <input type="checkbox"/> CLAIMS-MADE <input checked="" type="checkbox"/> OCCUR GEN'L AGGREGATE LIMIT APPLIES PER: <input type="checkbox"/> POLICY <input type="checkbox"/> PRO-JECT <input checked="" type="checkbox"/> LOC OTHER:			08CSES39805	09/30/2020	09/30/2021	EACH OCCURRENCE \$1,000,000 DAMAGE TO RENTED PREMISES (Ea occurrence) \$1,000,000 MED EXP (Any one person) \$15,000 PERSONAL & ADV INJURY \$1,000,000 GENERAL AGGREGATE \$2,000,000 PRODUCTS - COMP/OP AGG \$2,000,000 Gen Agg Cap Limit \$10,000,000
A	AUTOMOBILE LIABILITY <input checked="" type="checkbox"/> ANY AUTO <input type="checkbox"/> OWNED AUTOS ONLY <input type="checkbox"/> SCHEDULED AUTOS <input type="checkbox"/> HIRED AUTOS ONLY <input type="checkbox"/> NON-OWNED AUTOS ONLY			08 CSE S39802	09/30/2020	09/30/2021	COMBINED SINGLE LIMIT (Ea accident) \$1,000,000 BODILY INJURY (Per person) BODILY INJURY (Per accident) PROPERTY DAMAGE (Per accident) Uninsured Motorist \$300,000
C	<input type="checkbox"/> UMBRELLA LIAB <input checked="" type="checkbox"/> OCCUR <input checked="" type="checkbox"/> EXCESS LIAB <input type="checkbox"/> CLAIMS-MADE <input type="checkbox"/> DED <input type="checkbox"/> RETENTION			1000589559201	09/30/2020	09/30/2021	EACH OCCURRENCE \$5,000,000 AGGREGATE \$5,000,000
B	WORKERS COMPENSATION AND EMPLOYERS' LIABILITY ANY PROPRIETOR / PARTNER / EXECUTIVE OFFICER/MEMBER EXCLUDED? (Mandatory in NH) If yes, describe under DESCRIPTION OF OPERATIONS below		<input type="checkbox"/> Y/N <input checked="" type="checkbox"/> N N/A	08WNS39800	09/30/2020	09/30/2021	<input checked="" type="checkbox"/> PER STATUTE <input type="checkbox"/> OTH E.L. EACH ACCIDENT \$1,000,000 E.L. DISEASE-EA EMPLOYEE \$1,000,000 E.L. DISEASE-POLICY LIMIT \$1,000,000

DESCRIPTION OF OPERATIONS / LOCATIONS / VEHICLES (ACORD 101, Additional Remarks Schedule, may be attached if more space is required)
 RE: Bid. Evidence of Insurance.

CERTIFICATE HOLDER W.B. Mason Co., Inc. 59 Centre Street Brockton MA 02403 USA	CANCELLATION SHOULD ANY OF THE ABOVE DESCRIBED POLICIES BE CANCELLED BEFORE THE EXPIRATION DATE THEREOF, NOTICE WILL BE DELIVERED IN ACCORDANCE WITH THE POLICY PROVISIONS. AUTHORIZED REPRESENTATIVE <i>Aon Risk Services Northeast, Inc.</i>
----------------------------------------------------------------------------------------------------	----------------------------------------------------------------------------------------------------------------------------------------------------------------------------------------------------------------------------------------------------------------------------

Holder Identifier : 570084401588 Certificate No : 570084401588

Limited Lifetime Warranty

#1 Scholar Craft Pkwy. PO Box 170748. Birmingham,
AL 35217

The warranty information below is effective on all Scholar Craft products for orders manufactured after June 1, 2016. For warranty information concerning orders placed prior to June 1, 2016, please refer to the warranty information contained in the published price list of the corresponding year. For additional information relating to warranty, please contact your Customer Service Representative.

Effective June 1, 2016 Scholar Craft warrants to the original purchaser that its products are free from defects in material and workmanship under normal classroom use for as long as the life of the product, except as set forth below.

During the warranty period, Scholar Craft will replace, or at its option, repair locally, repair at its factory, any Scholar Craft brand product manufactured after June 1, 2016 that, upon inspection by Scholar Craft, is determined to be defective in material or workmanship.

This warranty is subject to the following provisions:



- Third-party products - Scholar Craft, to the extent possible, will pass through to the original purchaser (and process claims under) any warranty provided by third-party products supplied to Scholar Craft.
- All warranty claims are to be made in writing by the original purchaser. The original purchaser may be required to produce the invoice or other evidence to establish that a claim is within the warranty period.

To the extent allowed by law, Scholar Craft makes no other warranty, either expressed or implied, including any warranty or merchantability or fitness for a particular purpose. Scholar Craft is not liable for any consequential or incidental damages. This warranty contains the original purchaser's exclusive remedy.

Your Scholar Craft Dealer is our mutual partner in supporting your warranty requests. To obtain service under this warranty, please contact your Scholar Craft Dealer.



[About](#) [Location](#) [Contact](#) [Warranty](#) [Contracts](#) [Customer Service](#)
[Request Catalog](#) [Project Quote](#) [Price List](#) [Instagram](#) [Twitter](#)



Whitney Brothers® Lifetime Warranty

Effective January 1, 2012

Whitney Brothers®, located at 93 Railroad Street, Keene, NH 03431, USA, warrants products it manufactures that are purchased after January 1, 2012, to be free of defects in materials and workmanship for a Lifetime period from date of the shipment.

During the warranty period, Whitney Brothers®, as its sole obligation, will replace any product, part, or component covered by this warranty and sold after the effective date of this warranty.

This warranty extends only to the original purchasers who acquire new product from an authorized Whitney Brothers® reseller. Any product, part, or component must have been installed, used, and maintained according to Whitney Brothers® published instructions to be eligible for coverage under this warranty.

This warranty does not apply to products that Whitney Brothers® does not manufacture or that are damaged resulting from misuse, abuse, neglect, accident, improper application, modification, or repair by persons not authorized by Whitney Brothers®. Any modification to the original product voids the manufacturer's warranty.

Any implied warranties, including any warranty of merchantability or fitness for a particular purpose, are disclaimed to the extent allowed by law. Whitney Brothers® will not be liable for loss of time, inconvenience, commercial loss or incidental or consequential damages for any warranty claim.

